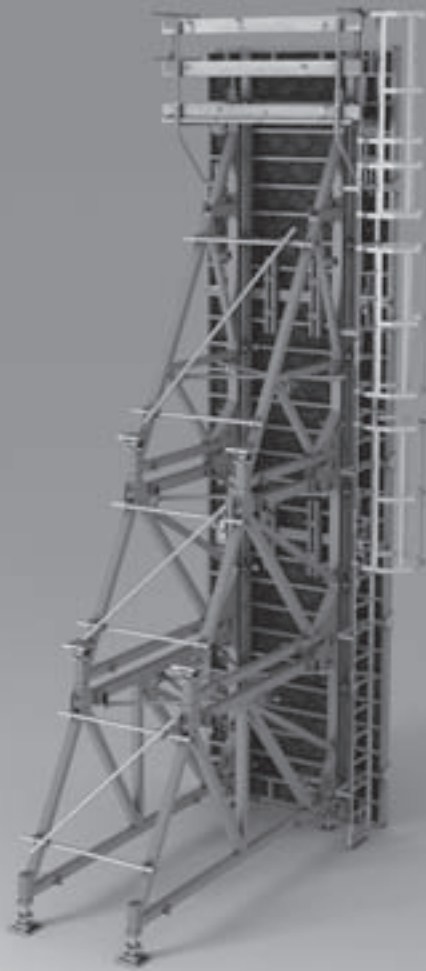


SB Brace Frame For single-sided walls

Instructions for Assembly and Use – Standard Configuration



Overview

Main components	1
Key	2
Presentational reference	2

Introduction

Target groups	3
Additional technical documentation	3
Intended use	4
Instructions for use	4
Care and maintenance instructions	5

Safety Instructions

Cross-system	6
System-specific	7
Storage and transportation	7

General

A1 Storage and Transportation	8
A2 Tie Technology	
Anchor System DW	10
Execution with Anchor Waler	12
Double Tie Yoke	13
Anchor installation	14

Standard Configuration SB-A0, A, B, C

B1 Pre-Assembly	
Mounting the Brace Frame	16
B2 Connecting to the Systems	
Girder formwork	18
Panel formwork	22
B3 Bracing	
Diagonal bracing	26
B4 Moving	
With the crane	28
With the Guide Roller	29

Standard Configuration SB-1, SB-2

C1 Connecting to the Systems	
SB-1 up to h = 3.60 m	30
SB-2 up to h = 6.00 m	34
C2 Moving	
With the crane	39

Standard Configuration SB-L

D1 Pre-Assembly	
SB-L with Anchor Bracket	40
SB-L VARIOKIT	41
D2 Connecting to the Systems	
Panel formwork	42
D3 Tie Technology	
Anchor System DW 15	43
D4 Moving	
With the crane	44
D5 Application Possibilities	
Version 1, Version 2	45

Shuttering, Striking, Dismantling

E1 Shuttering		46
Procedure		
E2 Striking		47
Procedure		
E3 Dismantling		48
SB-A0, A, B, C		
SB-1, SB-2		49

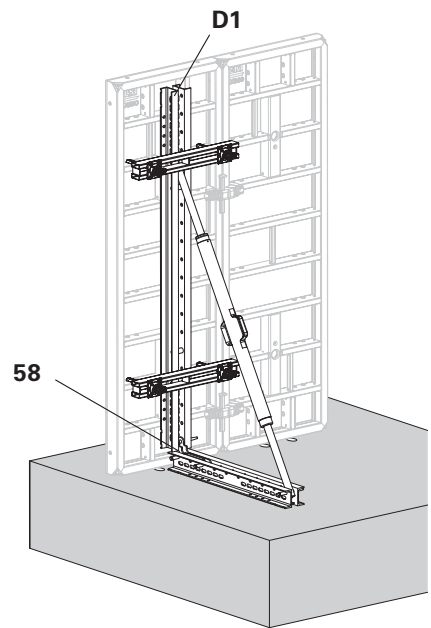
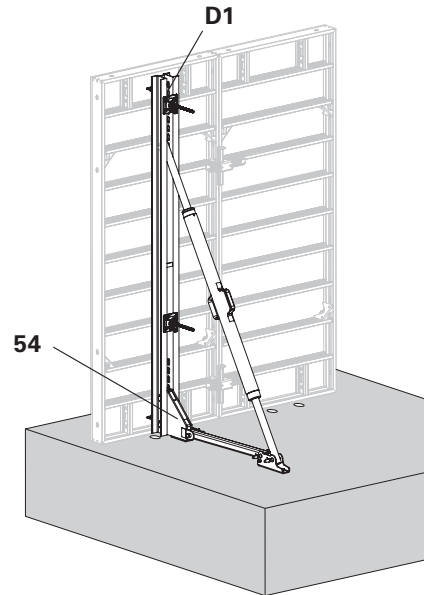
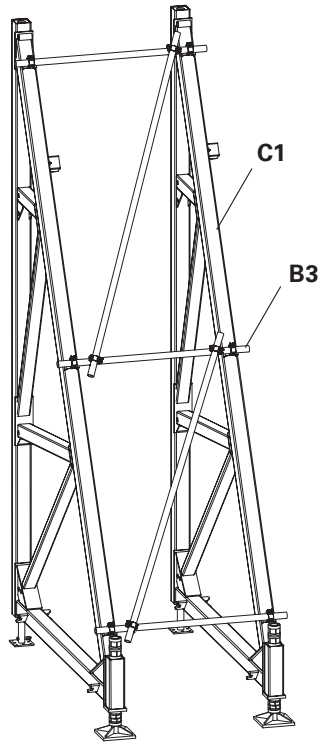
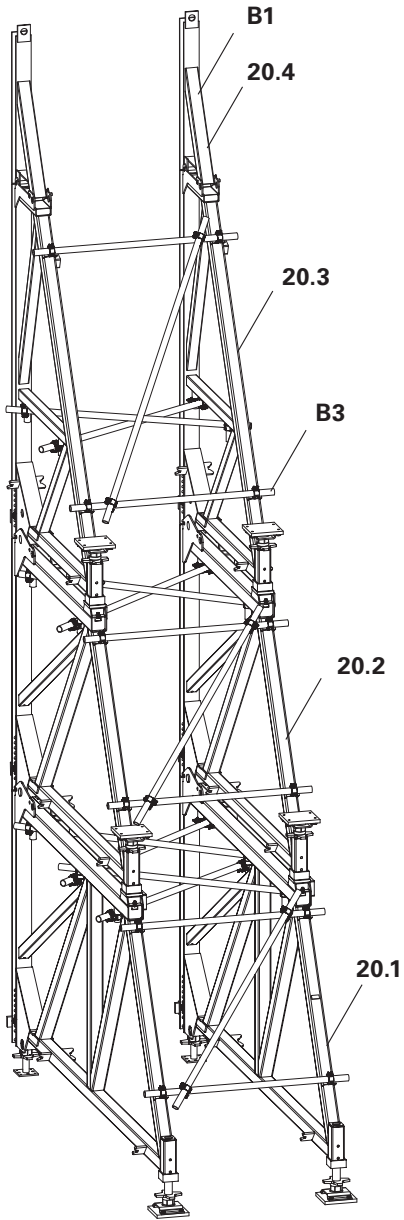
Application

F1 Internal Corners	50
F2 Use as Horizontal Heavy-Duty Bracket	51
Single suspension	52
Double suspension	54

Components

Components	56
------------	----

Main components



Key

B1 SB -A0, A, B, C
B3 Bracing
C1 SB-1, SB-2
D1 SB-L

20.1 SB-A0
20.2 SB-A
20.3 SB-B
20.4 SB-C

54 SB-L with Anchor Bracket
58 SB-L VARIOKIT

Pictogram | Definition



Safety instructions



Note



Load-bearing point



Visual check



Tip

Dimension specifications

Dimensions are usually given in mm. Other units of measure, e.g. cm, are shown in the illustrations.

Conventions

- Instructions are numbered with:
1. , 2. , 3.
- The result of an instruction is shown by: →
- Position numbers are clearly provided for the individual components and are given in the drawing, e.g. **1**, in the text in brackets, for example, (1).
- Multiple position numbers, i.e. alternative components, are represented with a slash, e.g. **1 / 2**.

Arrows



Arrow representing an action



Arrow representing a reaction of an action*



Forces

* if not identical to the action arrow

Presentational reference

The illustration on the front cover of these instructions is understood to be a system representation only. The assembly steps presented in these Instructions for Assembly and Use are shown in the form of examples with only one component size. They are valid accordingly for all component sizes contained in the standard configuration.

For a better understanding, detailed illustrations are partly incomplete. The safety installations which have possibly not been featured in these detailed drawings must nevertheless be available.

Target groups

Contractors

These Instructions for Assembly and Use are designed for contractors who use the formwork systems for

- assembling, modifications and dismantling, or
- e.g. concreting or
- for other operations, e.g. carpentry or electrical work.

Construction site coordinator

The Safety and Health Protection Coordinator*

- is appointed by the client,
- must identify potential hazards during the planning phase,
- determines measures that provide protection against risks,
- creates a safety and health plan,
- coordinates the protective measures for the contractor and site personnel so that they do not endanger each other,
- monitors and ensures compliance with the protective measures.

Qualified persons

Due to the specialist knowledge gained from professional training, work experience and recent professional activity, the qualified person has a reliable understanding of safety-related issues and can correctly carry out tests. Depending on the complexity of the test to be undertaken, e.g. scope of testing, type of testing or the use of a certain measuring device, a range of specialist knowledge is necessary.

Qualified specialists

Formwork systems may only be assembled, reconstructed or dismantled by personnel who are suitably qualified to do so. For the work to be carried out, the qualified specialists must have received instructions** which contain at least the following points:

- Explanation of the plan for the assembly, reconstruction or dismantling of the formwork in an understandable form and language.
- Description of the measures for assembling, reconstructing or dismantling the formwork.
- Designation of the preventive measures to avoid the risk of persons and objects falling.

- Designation of the safety precautions in the event of changing weather conditions which could adversely affect the safety of the formwork system as well as the personnel concerned.
- Details regarding the permissible loads.
- Description of any other risks that are associated with the assembly, reconstruction or dismantling procedures.



In other countries, ensure that the relevant national guidelines and regulations in the respective current version are complied with!

* Valid in Germany: Regulations for Occupational Health and Safety on Construction Sites 30 (RAB 30)

** Instructions are given by the contractor himself or a qualified person selected by him.

Additional technical documentation

- PERI Design Information for SB Brace Frame
- Instructions for Use:
 - Pallets and Stacking Devices
 - Lifting Hook MAXIMO
 - Lifting Hook DOMINO
- PERI Design Tables - Formwork and Shoring
- Brochure:
 - SB Brace Frame

Intended use

Product description

PERI products have been designed for exclusive use in the industrial and commercial sectors only by suitably trained personnel.

The SB Brace Frame system for single-sided forming of walls, rocks, sheet piling, soil etc. The fresh concrete pressure which occurs on the formwork surface must be transferred via a brace frame construction with corresponding anchoring into the ground.

The system consists of several units (steel constructions) which can be used individually or in combination for different heights.

SB-AO, SB-A, SB-B, SB-C
SB-1, SB-2, SB-L

The height of brace frame units is increased by means of integrated connecting parts and match truck or container loading dimensions.

Connecting to PERI formwork systems is realized using corresponding connection parts.

For the tensile anchoring of the occurring forces in the ground, there are three different anchor systems.

The required working platforms are to be used from the respective formwork system.

Features

Concreting heights up to	
SB Brace Frame SB-AO, A, B, C:	8.75 m
SB Brace Frame SB-A, B, C:	6.75 m
SB Brace Frame SB-A, B:	6.00 m
SB Brace Frame SB-B, C:	5.00 m
SB Brace Frame SB-A, C:	4.00 m
SB Brace Frame SB-B:	4.00 m
SB Brace Frame A:	3.00 m
SB Brace Frame SB-1:	3.60 m
SB Brace Frame SB-2:	6.00 m
SB Brace Frame SB-L:	3.00 m

Technical data

Permissible fresh concrete pressure on vertical formwork 60 kN/m².

Anchor system: permissible load

DW 15	90 kN
DW 20	150 kN
DW 26	250 kN

Connecting to PERI MAXIMO, TRIO, DOMINO, RUNDIFLEX, VARIO GT 24 possible.

For the standard configuration, there are load tables which feature the forces, deformations and widths of influence; see PERI Design Information for SB Brace Frames.

We recommend inclining the Brace Frames forward by 2/3 of the calculated deformation.

Instructions for use

The use in a way not intended, deviating from the standard configuration or the intended use according to the Instructions for Assembly and Use, represents a misapplication with a potential safety risk, e.g. risk of falling.

Only PERI original components may be used. The use of other products and spare parts is not allowed.

Changes to PERI components are not permitted.

Care and maintenance instructions

In order to maintain the value and operational readiness of the formwork materials over the long term, clean the elements after each use.

Some repair work may also be inevitable due to the tough working conditions. The following points should help to keep care and maintenance costs as low as possible.

Spray the formwork on both sides with concrete release agent before each use; this allows easier and faster cleaning of the formwork. Spray the concrete release agent very thinly and evenly!

Spray the rear side of the formwork with water immediately after concreting; this avoids any time-consuming and costly cleaning operations.

When used continuously, spray the panel formlining with concrete release agent immediately after striking; then clean by means of a scraper, brush or rubber lip scraper. Important: do not clean formlining made of plywood with high-pressure equipment; this could result in the formlining being damaged.

Fix box-outs recesses and mounting parts with double-headed nails; as a result, the nails can easily be subsequently removed, and damage to the formlining is largely avoided.

Close all unused anchor holes with plugs; this eliminates any subsequent cleaning or repair work. Anchor holes accidentally blocked with concrete are freed by means of a steel pin from the formlining side.

When placing bundles of reinforcement bars or other heavy objects on horizontally-stored formwork elements, suitable support, e.g. square timbers, is to be used; as a result, impressions and damage to the formlining are largely avoided.

Internal concrete vibrators should be fitted, if possible, with rubber caps; as a result, any damage to the formliner is reduced if the vibrator is accidentally inserted between the reinforcement and formlining.

Never clean powder-coated components, e.g. elements and accessories, with a steel brush or hard metal scraper; this ensures that the powder-coating remains intact.

Use spacers for reinforcement with large-sized supports or extensive areas of support; this largely avoids impressions being formed in the formlining when under load.

Mechanical components, e.g. spindles or gear mechanisms, must be cleaned of dirt or concrete residue before and after use, and then greased with a suitable lubricant.

Provide suitable support for the components during cleaning so that no unintentional change in their position is possible.

Do not clean components when suspended on a crane.

Cross-system

General

The contractor must ensure that the Instructions for Assembly and Use supplied by PERI are available at all times and are understood by the site personnel.

These Instructions for Assembly and Use can be used as the basis for creating a risk assessment. The risk assessment shall be compiled by the contractor. The Instructions for Assembly and Use do not replace the risk assessment!

Always take into consideration and comply with the safety instructions and permissible loads.

For the application and inspection of PERI products, the current safety regulations and guidelines must be observed in the respective countries where they are being used.

Materials and working areas are to be inspected on a regular basis especially before each use and assembly for:

- signs of damage,
- stability and
- functionality.

Damaged components must be exchanged immediately on site and may no longer be used.

Safety components are removed only when they are no longer required.

Components provided by the contractor must conform with the characteristics required in these Instructions for Assembly and Use as well as with all valid construction guidelines and standards. In particular, the following applies if nothing else is specified:

- timber components: Strength Class C24 for Solid Wood according to EN 338.
- scaffold tubes: galvanised steel tubes with minimum dimensions of Ø 48.3 x 3.2 mm according to EN 12811-1:2003 4.2.1.2.
- scaffold tube couplings according to EN 74.

Deviations from the standard configuration are only permitted after a further risk assessment has been carried out by the contractor. On the basis of this risk assessment, determine appropriate measures for working and operational safety as well as stability.

Corresponding proof of stability can be provided by PERI on request if the risk assessment and resulting measures to be implemented are available.

Before and after exceptional occurrences that may have an adverse effect regarding the safety of the formwork system, the contractor must immediately

- create another risk assessment, with appropriate measures for ensuring the stability of the formwork system being carried out based on the results,
- and arrange for an extraordinary inspection by a qualified person. The aim of this inspection is to identify and rectify any damage in good time in order to guarantee the safe use of the formwork system.

Exceptional occurrences can include:

- accidents,
- longer periods of non-use,
- natural events, e.g. heavy rainfall, icing, heavy snowfall, storms or earthquakes.

Assembly, modification and dismantling work

Assembly, modification or dismantling of formwork systems may only be carried out by qualified specialists under the supervision of an authorized person. The qualified specialists must have received appropriate training for the work to be carried out with regard to specific risks and dangers.

On the basis of the risk assessment and Instructions for Assembly and Use, the contractor must create installation instructions in order to ensure safe assembly, modification and dismantling of the formwork system.

The contractor must ensure that the personal protective equipment required for the assembly, modification or dismantling of the system, e.g.

- safety helmet,
 - safety shoes,
 - safety gloves,
 - safety glasses,
- is available and used as intended.

If personal protective equipment (PPE) is required or specified in local regulations, the contractor must determine appropriate load-bearing points on the basis of the risk assessment.

The personal protective equipment to be used is determined by the contractor.

The contractor must

- provide safe working areas for site personnel which are to be reached through the provision of safe traffic routes. Areas of risk must be cordoned off and clearly marked.
- ensure the stability during all stages of construction, in particular during assembly, modification and dismantling of the formwork.
- ensure and prove that all loads are safely transferred.

Utilization

Every contractor who uses or allows formwork systems or sections of the formwork to be used, has the responsibility for ensuring that the equipment is in good condition.

If the formwork system is used successively or at the same time by several contractors, the health and safety coordinator must point out any possible mutual hazards and all work must be then coordinated.

System-specific

When using other tie or formwork systems, the possible applications as well as stability must be checked separately by the user.

Deviations always require a separate static proof.

Existing walls, shoring, rock etc. must be able to withstand the pressure exerted by the fresh concrete.

Retract components only when the concrete has sufficiently hardened and the person in charge has given the go-ahead for striking to take place.

Only use PERI load-bearing equipment.

During striking, do not tear off the formwork elements with the crane.

If a storm warning is given, additional push-pull props are to be attached or other bracing measures are to be carried out along with implementing the details contained in the PERI design tables.

Anchoring

Anchoring is to take place only if the anchorage has sufficient concrete strength.

Do not weld, heat or deform DW tie rods which are to be used for anchoring.

Storage and transportation

Store and transport components ensuring that no unintentional change in their position is possible. Detach load-bearing devices and lifting gear from the lowered components only if they are in a stable position and no unintentional change of their position is possible.

Do not drop the components.

Use PERI load-bearing devices and lifting gear as well as only those load-bearing points provided on the component.

During the moving procedure,

- ensure that components are picked up and set down so that unintentional falling over, falling apart, sliding, falling down or rolling is avoided.
- no persons are allowed to remain under the suspended load.

The access areas on the jobsite must be free of obstacles and tripping hazards as well as being slip-resistant.

For transportation, the surface must have sufficient load-bearing capacity.

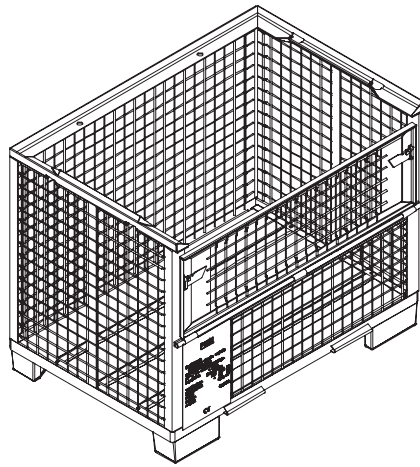
Use original PERI storage and transport systems, e.g. crate pallets, pallets or stacking devices.



Follow Instructions for Use for PERI pallet and stacking devices!
Follow PERI packaging guidelines!
Transportation units must be correctly stacked and secured!

Transportation

PERI pallets and stacking devices are suitable for lifting by crane or forklift. They can also be moved with the PERI pallet lifting trolley. All pallets and stacking devices can be lifted using both the longitudinal and front sides.



Stacking



Only brace frame units of the same size are to be transported in one stack!

Stacking height:

max. 6 units depending on the truck.
 (Fig. A1.01 + A1.02)
 10 units for Brace Frame SB-C (not shown).

Use integrated stacking aid (1) on the brace frame units.
 (Fig. A1.02a)

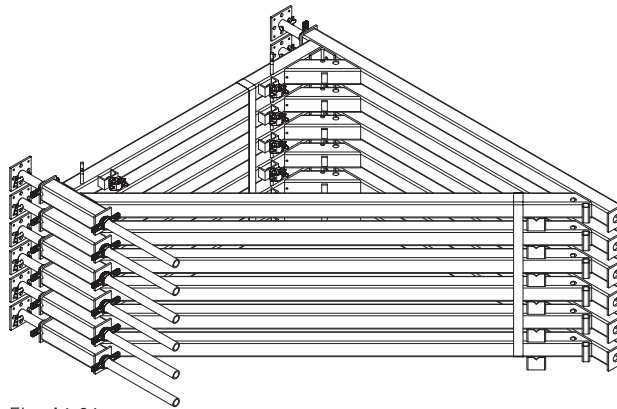


Fig. A1.01

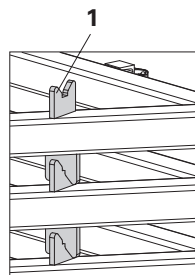


Fig. A1.02a

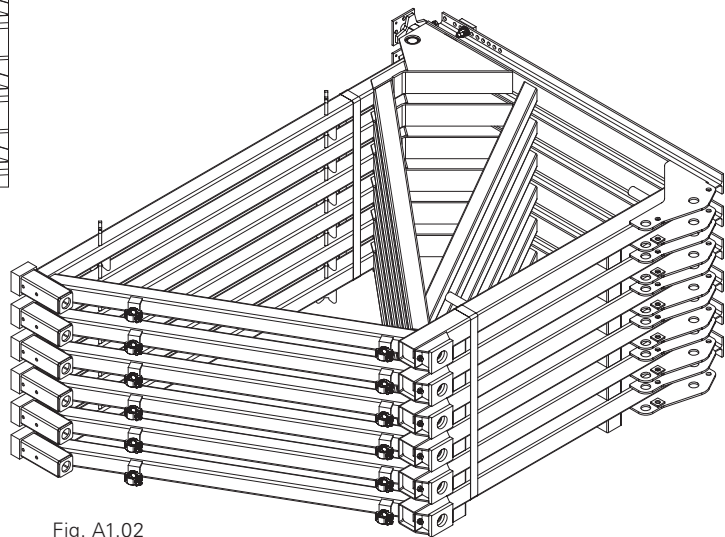


Fig. A1.02

Loading onto trucks

- Secure stacks with steel strapping.
- Secure stacks with tension belts. Use edge protection.
- max. height 2 stacks each with 6 Brace Frames.

(Fig. A1.03)

The number of stacks that can be transported depends on the respective national transport regulations.

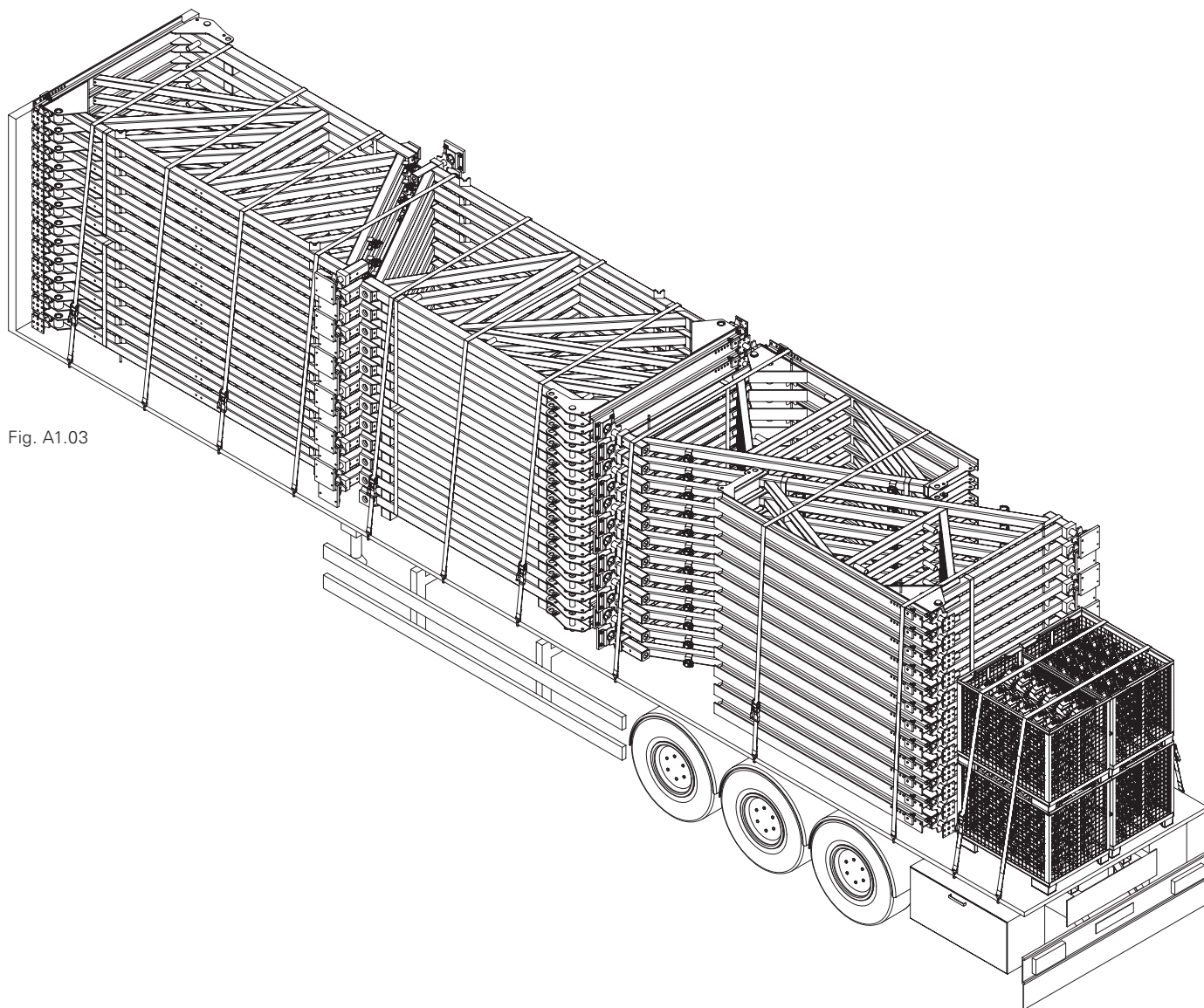


Fig. A1.03

Anchor System DW DW 15, 20, 26

Other anchor systems than those shown here require separate static proof!

Anchor System DW 15 Execution with Double Anchor Tie Yoke

Permissible tension force $2 \times 90 \text{ kN} = 180 \text{ kN}$.

Re-usable anchor components:

2.1	Wingnut DW 15	2x
3	Double Tie Yoke	1x
4	Tie Rod DW 15	2x
5.1	Hex. Nut DW 15, SW 30/108	2x

Lost anchor components:

6	Brace Frame Double Anchor DW 15	1x
	Alternative, see Fig. A2.03	
4	Tie Rod DW 15	2x
7	Threaded Anchor Plate DW 15	2x

(Fig. A2.01)

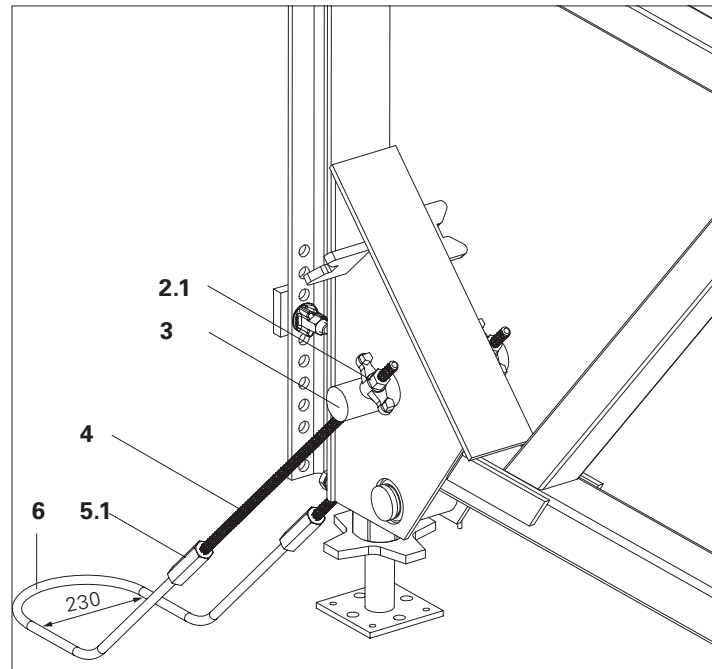


Fig. A2.01

Anchor System DW 15 Execution with Anchor Waler

Permissible tension force $2 \times 90 \text{ kN} = 180 \text{ kN}$.

Re-usable anchor components:

2.2	Wingnut Pivot Plate DW 15	2x
8.1	Anchor Plate SB DW 26	2x
9	Anchor Waler U140, 0.55 m or	2x
	Anchor Waler U140, 2.35 m	2x
4	Tie Rod DW 15	2x
5.1	Hex. Nut DW 15, SW 30/108	2x

Lost anchor components:

6	Brace Frame Double Anchor DW 15	1x
	Alternativ, see Fig. A2.03	
4	Tie Rod DW 15	2x
7	Threaded Anchor Plate DW 15	2x

(Fig. A2.02)

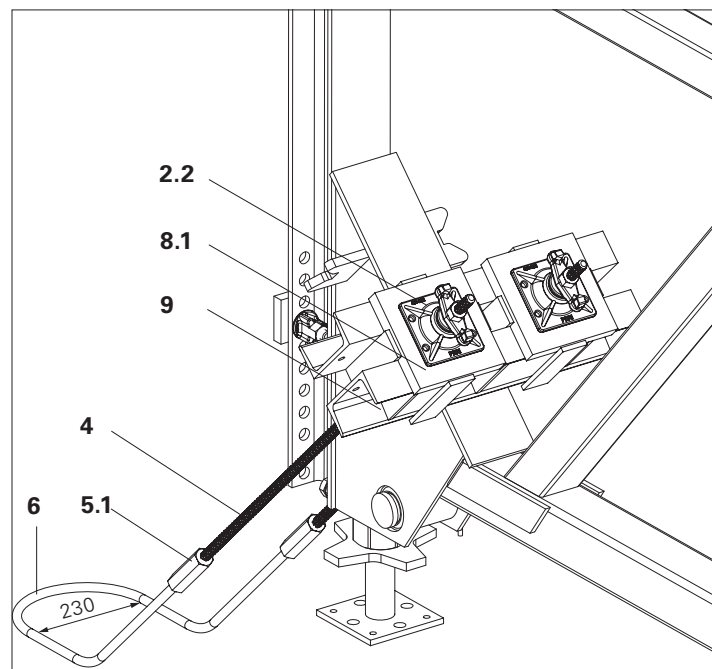


Fig. A2.02

Anchor System DW 20

Execution with Anchor Waler

Permissible tension force $2 \times 150 \text{ kN} = 300 \text{ kN}$.

Re-usable anchor components:

2.1	Wingnut DW 20	2x
8	Counterplate DW 20	2x
8.1	Anchor Plate SB DW 26	2x
9	Anchor Waler U160, 0.55 m	2x
4	Tie Rod DW 20	2x
5.2	Hex. Nut DW 20, SW 36/110	2x

Lost anchor components:

4	Tie Rod DW 20	2x
7	Threaded Anchor Plate 20	2x

(Fig. A2.03)

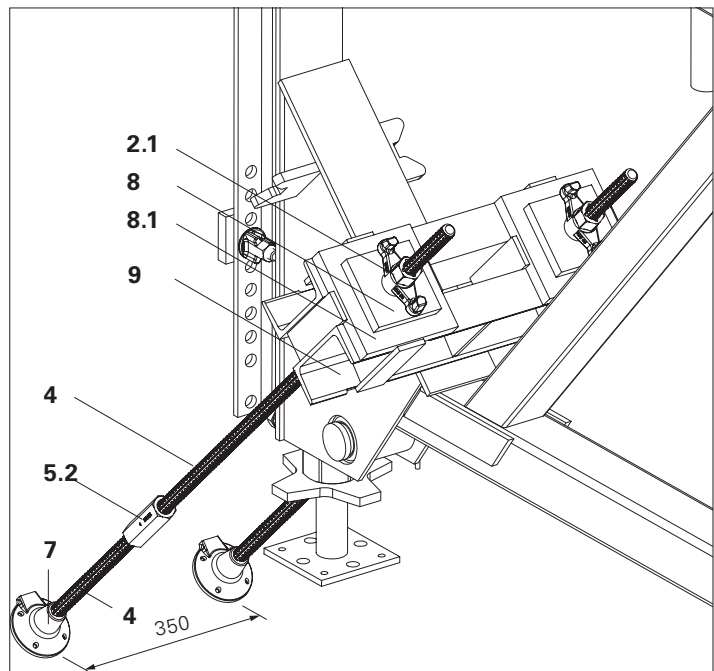


Fig. A2.03

Anchor System DW 26

Execution with Anchor Waler

Permissible tension force $2 \times 250 \text{ kN} = 500 \text{ kN}$.

Re-usable anchor components:

5	Hex. Nut DW 26, SW 46/80	2x
8.2	Tension Release Plate SB DW 26	2x
9	Anchor Waler U160, 0.55 m	2x
4	Tie Rod DW 26	2x
5.3	Hex. Nut DW 26, SW 46/150	2x

Lost anchor components:

4	Tie Rod DW 26	2x
7	Threaded Anchor Plate DW 26	2x

(Fig. A2.04)

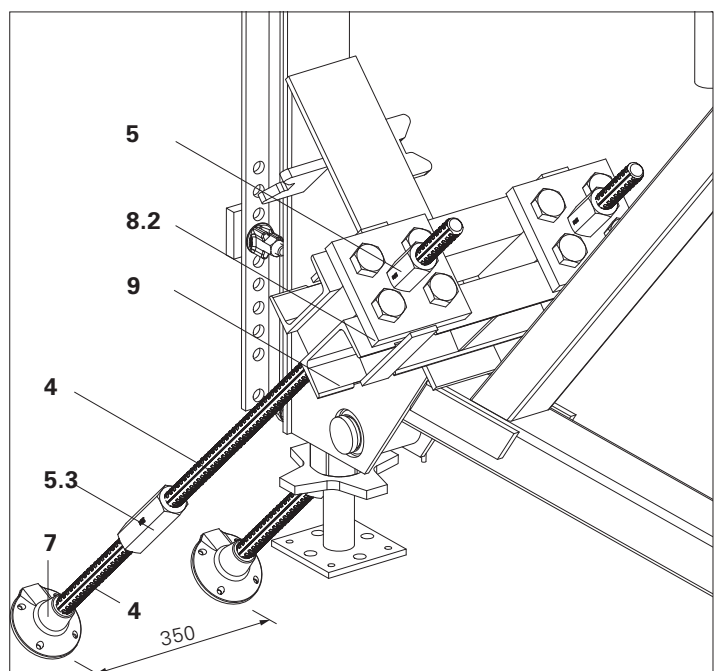


Fig. A2.04

Execution with Anchor Waler



The given dimensions x and y are ideal values. Dimension x is in the trouble-free area behind the formwork.

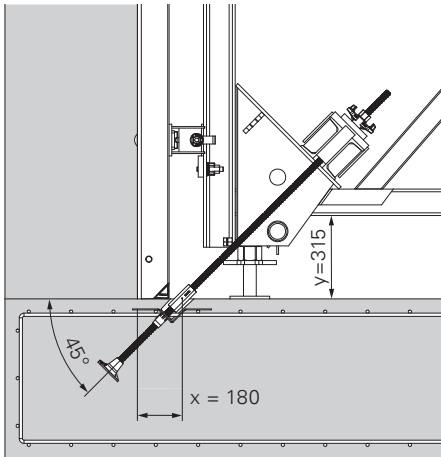
If x is larger, y must be smaller; if x is smaller, y must be larger.

If dimension x is reduced, the anchor is positioned in the area of the formwork.

Brace Frame SB-A0, A, B

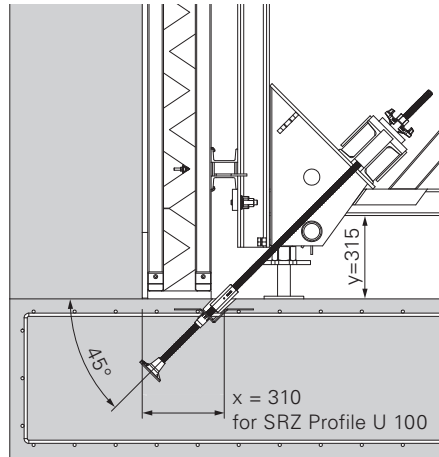
in accordance with the DW anchor system
(Fig. A2.05a – A2.05c)

Panel formwork



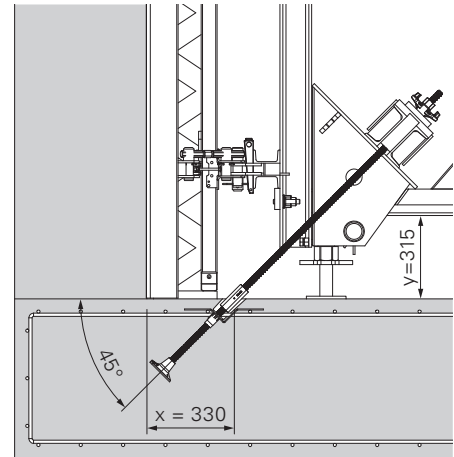
(Fig. A2.05a)

Girder formwork



(Fig. A2.05b)

Girder circular formwork

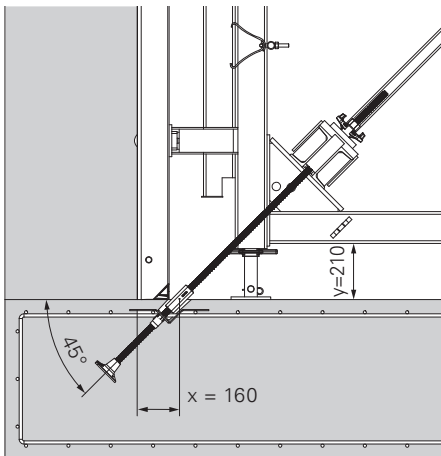


(Fig. A2.05c)

Brace Frame SB-1 and SB-2

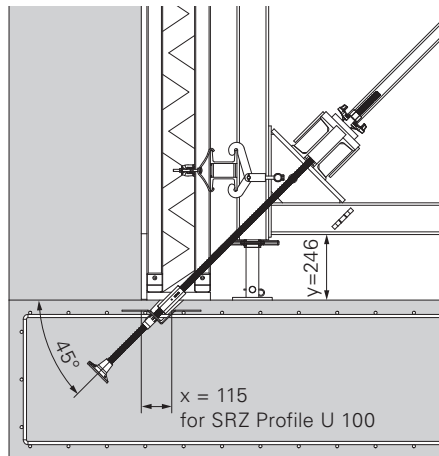
in accordance with the DW anchor system
(Fig. A2.06a - A2.06c)

Panel formwork



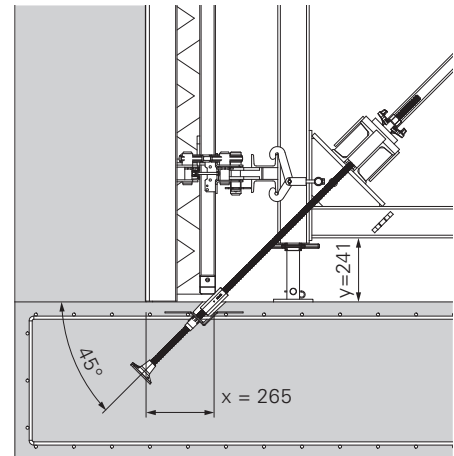
(Fig. A2.06a)

Girder formwork



(Fig. A2.06b)

Girder circular formwork



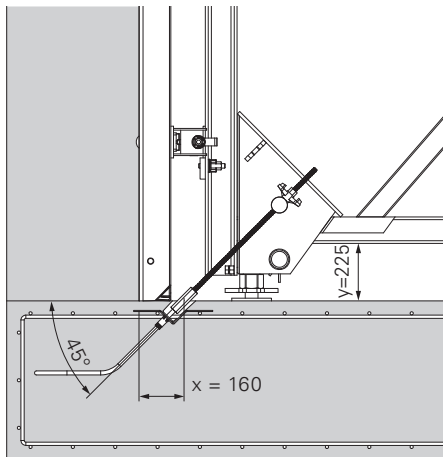
(Fig. A2.06c)

Execution with Double Anchor Tie Yoke

Brace Frame SB-B

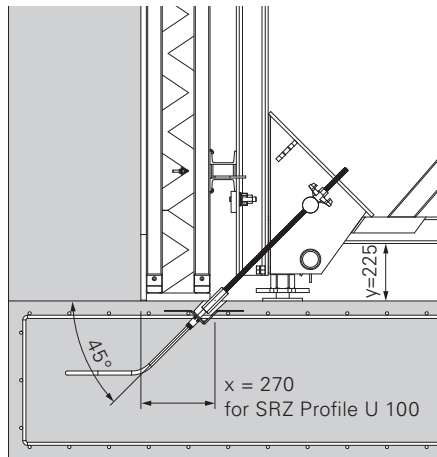
in accordance with the DW anchor system
(Fig. A2.07a - A2.07c)

Panel formwork



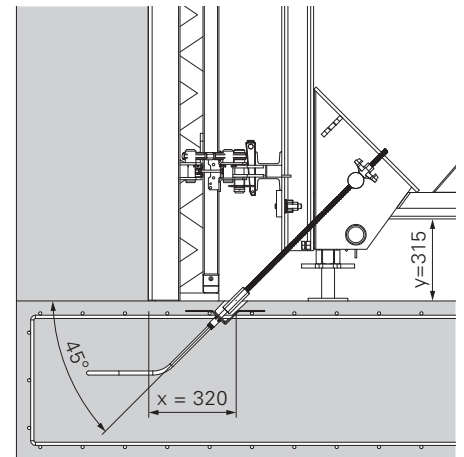
(Fig. A2.07a)

Girder formwork



(Fig. A2.07b)

Girder circular formwork

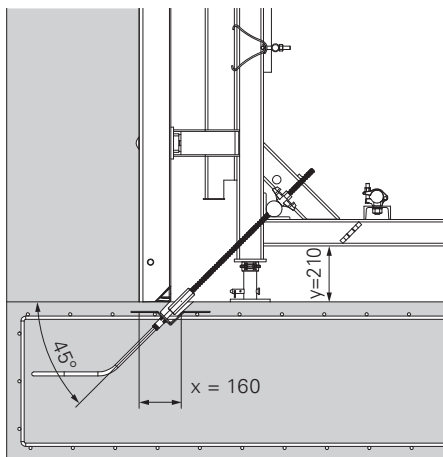


(Fig. A2.07c)

Brace Frame SB-1

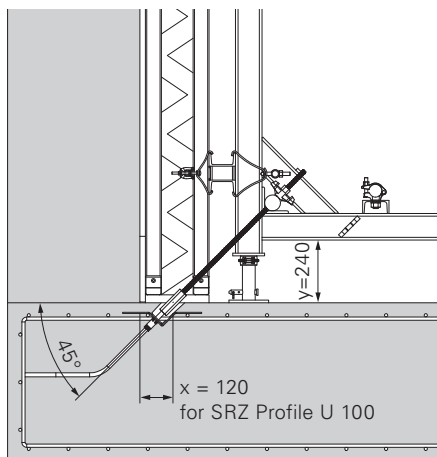
in accordance with the DW anchor system
(Fig. A2.08a - A2.08c)

Panel formwork



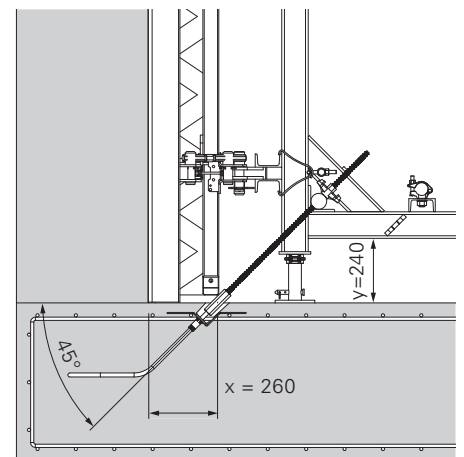
(Fig. A2.08a)

Girder formwork



(Fig. A2.08b)

Girder circular formwork



(Fig. A2.08c)

SB Brace Frame for single-sided walls

Instructions for Assembly and Use – Standard Configuration

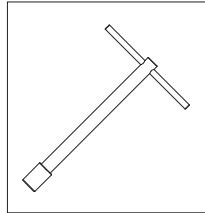
Anchor installation with V-Tie Holder DW 15, 20, 26

With the V-Tie Holder and Leading Anchor Coupler, accurate assembly of the Tension Anchor under 45° is possible.

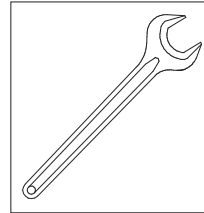


Verification of the safe transfer of the bearing reactions into the building and subsequently into the ground is the responsibility of the contractor - determining the anchoring depth.

Required tools



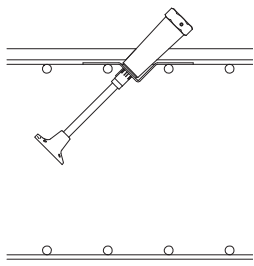
Tension Rod Wrench 20/26



Spanner SW 30, 36, 46, 70

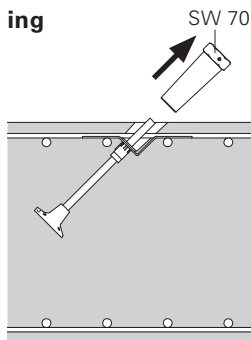
Work sequence for lost tie rod

Installation in reinforcement



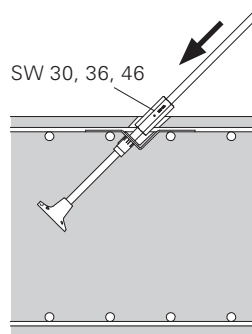
Installation of the V-Tie Holder and Leading Anchor Coupler. Concreting.

After concreting



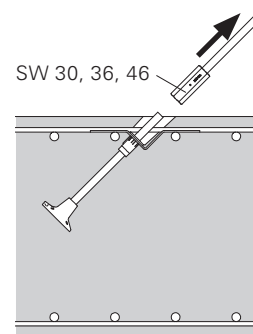
Removal of Leading Anchor Coupler with Spanner SW 70. Check tie rod to ensure it is firmly in place.

Connection to SB



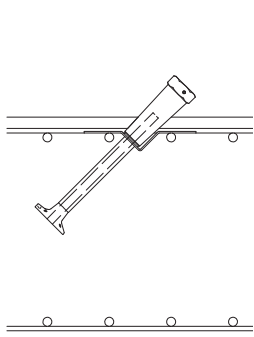
Untighten the hex. nut and tie rod by means of the spanner.

Dismantling SB

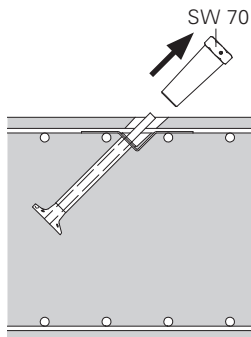


Unscrew the tie rod and hex. nut by means of the spanner. Fill hole.

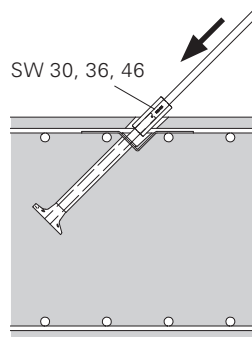
Work sequence for re-usable tie rods



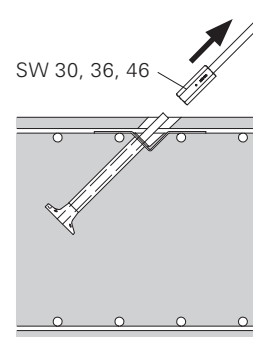
Installation of the V-Tie Holder and Leading Anchor Coupler. Concreting.



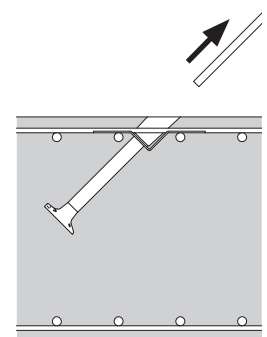
Removal of Leading Anchor Coupler with Spanner SW 70. Check tie rod to ensure it is firmly in place.



Untighten the hex. nut and tie rod by means of the spanner.



Unscrew the tie rod and hex. nut by means of the spanner.



Screw out tie rod with the Tension Rod Wrench. Fill hole.

Anchor System DW 15 Execution with tie rods

Re-usable anchor components:

- 11 Leading Anchor Coupler DW 15
- 4 Tie Rod DW 15

Lost anchor components:

- 10 V-Tie Holder DW 15
- 12 Spacer Tube rough DR 32
- 7 Threaded Anchor Plate DW 15

(Fig. A2.09a)

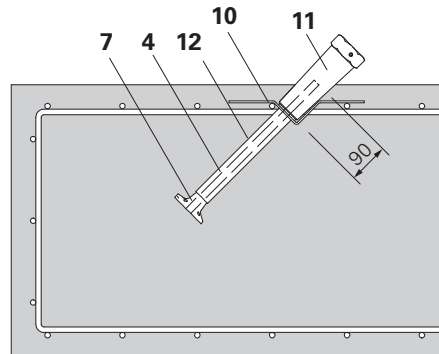


Fig. A2.09a

Anchor System DW 15 Execution with Brace Frame Double Anchor

Re-usable anchor components:

- 11 Leading Anchor Coupler DW 15

Lost anchor components:

- 10 V-Tie Holder DW 15
- 6 Brace Frame Double Anchor DW 15

(Fig. A2.09b)

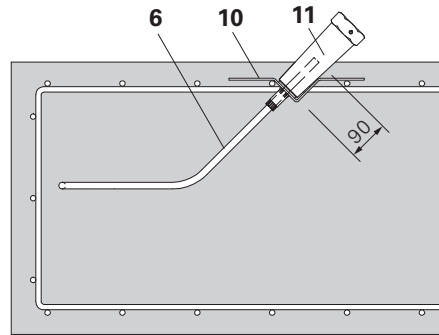


Fig. A2.09b

Anchor System DW 20 Execution with tie rod

Re-usable anchor components:

- 11 Leading Anchor Coupler DW 20
- 4 Tie Rod DW 20

Lost anchor components:

- 10 V-Tie Holder DW 20
- 12 Spacer Tube rough DR 42
- 7 Threaded Anchor Plate DW 20

(Fig. A2.09c)

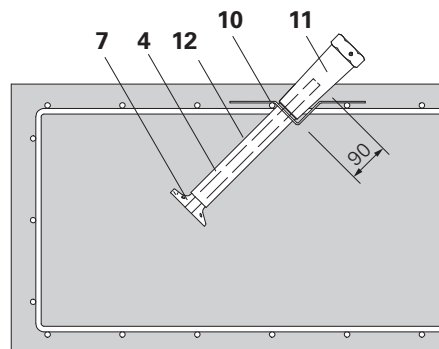


Fig. A2.09c

Anchor System DW 26 Execution with tie rods

Re-usable anchor components:

- 11 Leading Anchor Coupler DW 26
- 4 Tie Rod DW 26

Lost anchor components:

- 10 V-Tie Holder DW 26
- 12 Spacer Tube rough DR 42
- 7 Threaded Anchor Plate DW 26

(Fig. A2.09d)

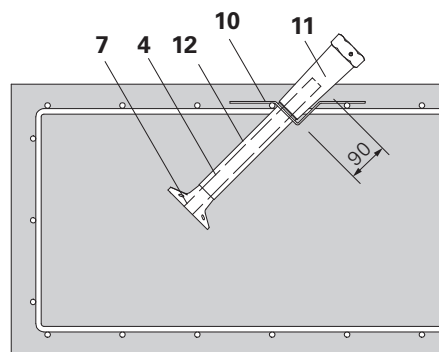


Fig. A2.09d

SB Brace Frame for single-sided walls

Instructions for Assembly and Use – Standard Configuration

Assembling SB-A0, A, B, C

Height combinations (examples)

(Fig. B1.01)

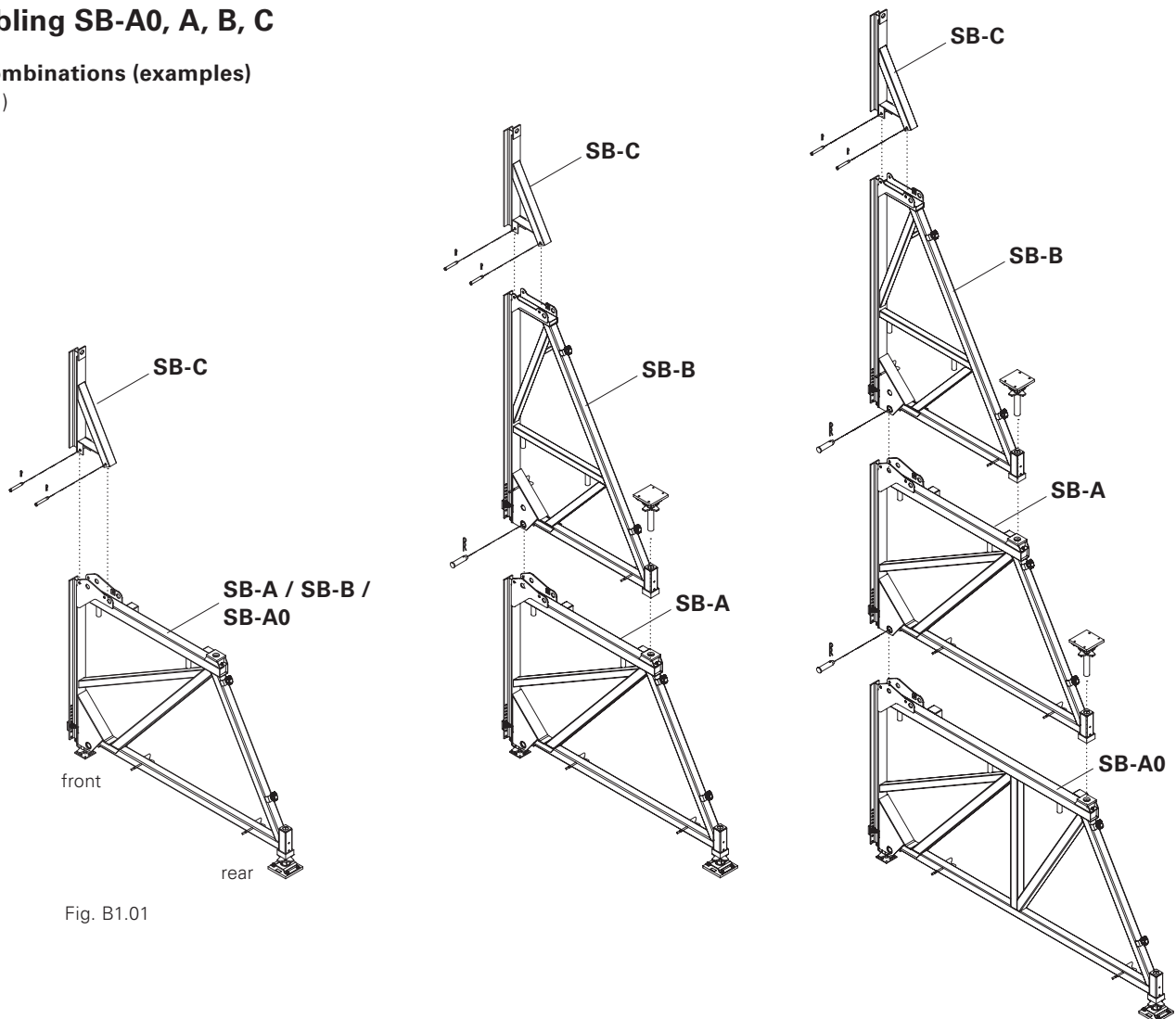


Fig. B1.01



Assemble brace frames on tidy, flat and sufficiently load-bearing surfaces!

Assembly

Assembly is to take place horizontally and with the crane.

1. Place all required individual Brace Frames (SB-A0, A, B, C) in sequence on timbers.
(Fig. B1.02)

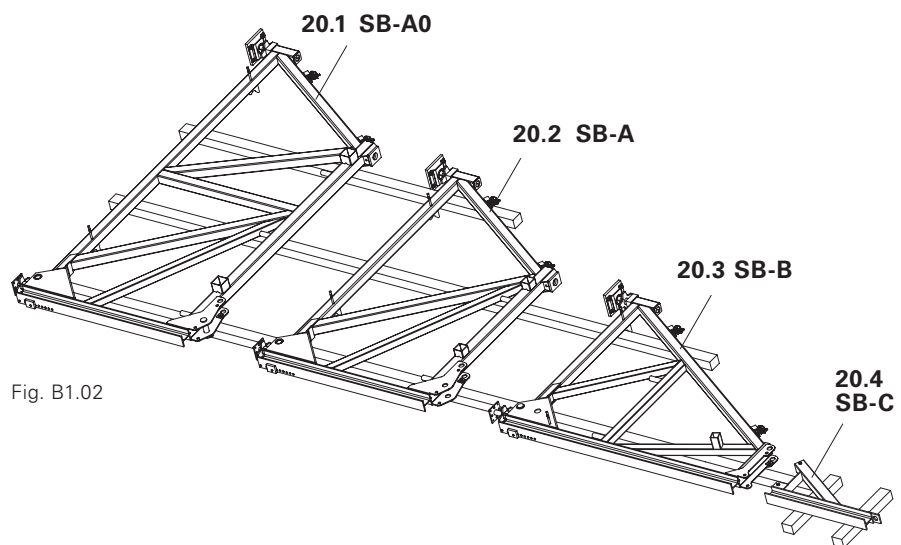


Fig. B1.02

Connecting SB-A0 to SB-A

- Remove spindle on the Brace Frame.
Front: TR 50 x 8 (20.6); rear: TR 60 x 9/43 (20.7), support
(Fig. B1.03)
- Push Brace Frames together.
- Connect Brace Frames at front with Bolts \varnothing 50 x 150 and cotter pins (20.5).
(Fig. B1.04)
- Connect Brace Frames at rear with spindle (20.6).
(Fig. B1.04)

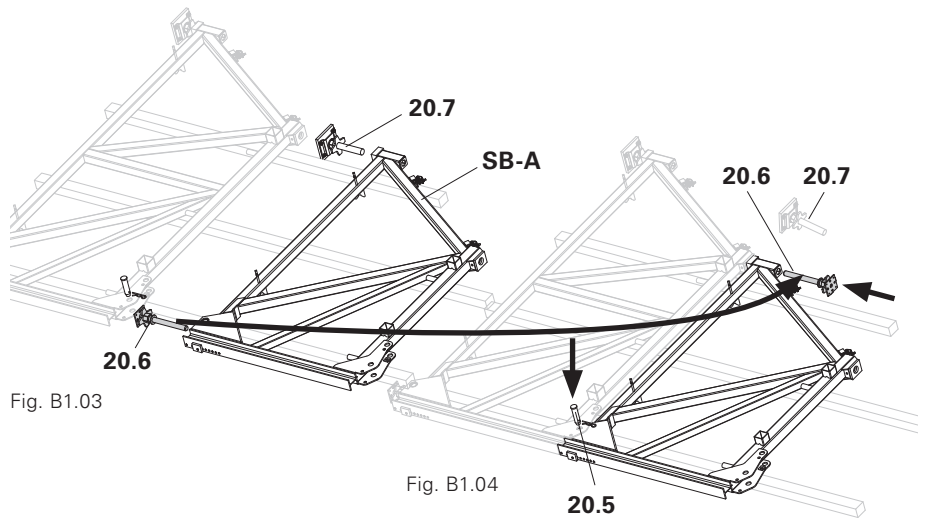


Fig. B1.03

Fig. B1.04

Connecting SB-A to SB-B

- Remove spindles on the Brace Frame.
Front: TR 50 x 8 (20.6); rear: TR 60 x 9/43 (20.7), support
(Fig. B1.05)
- Push Brace Frames together.
- Connect Brace Frames at front with Bolts \varnothing 50 x 150 and cotter pins (20.5).
(Fig. B1.06)
- Connect Brace Frames at rear with spindle (20.6).
(Fig. B1.06)

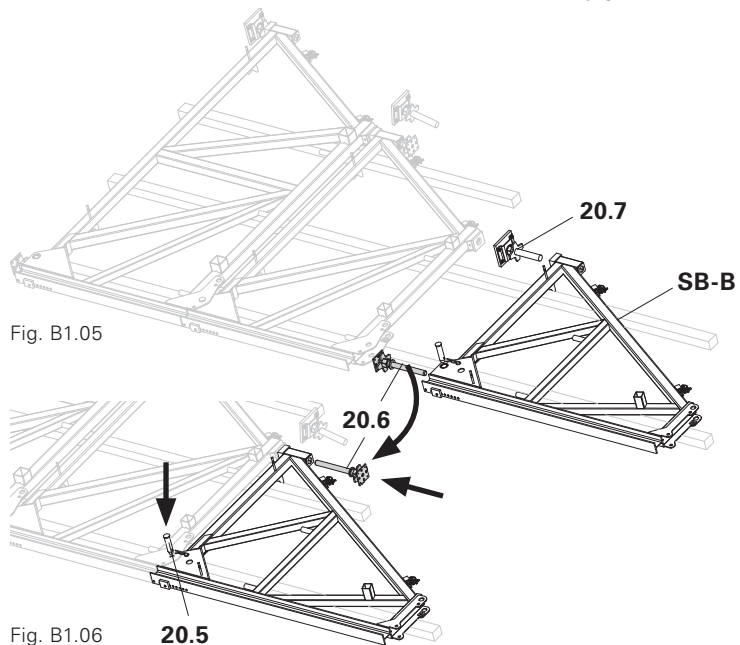


Fig. B1.05

Fig. B1.06

Connecting with SB-C

Example with SB-B

- Remove Bolts \varnothing 25 x 180 and cotter pins (20.5) on the Brace Frame.
(Fig. B1.07)
- Push Brace Frames together and connect with bolts and cotter pins.
(Fig. B1.08)

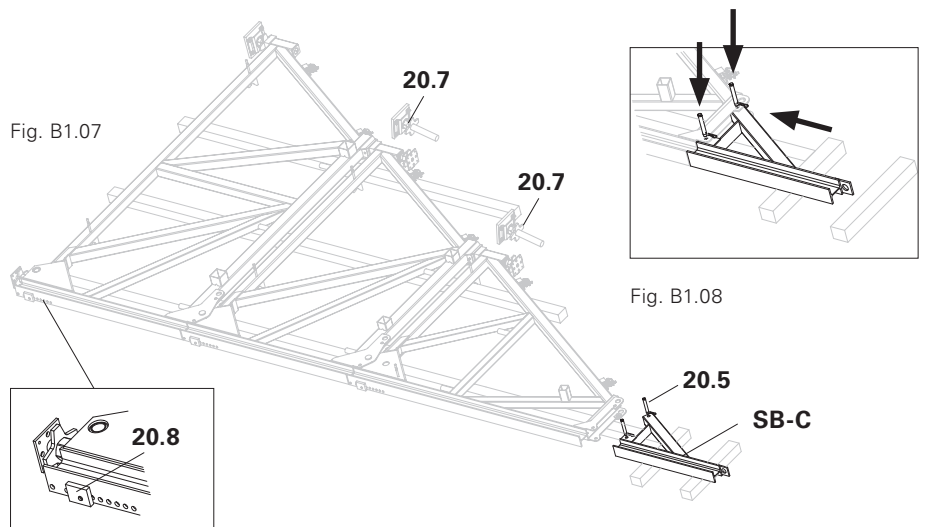


Fig. B1.07

Fig. B1.08

Fig. B1.09

Load transfer

Adjust formwork support SB-A0/A /B (20.8) according to the project plan on the formwork used.
(Fig. B1.09)

B2 Connecting to the Systems SB-A0, A, B, C

General

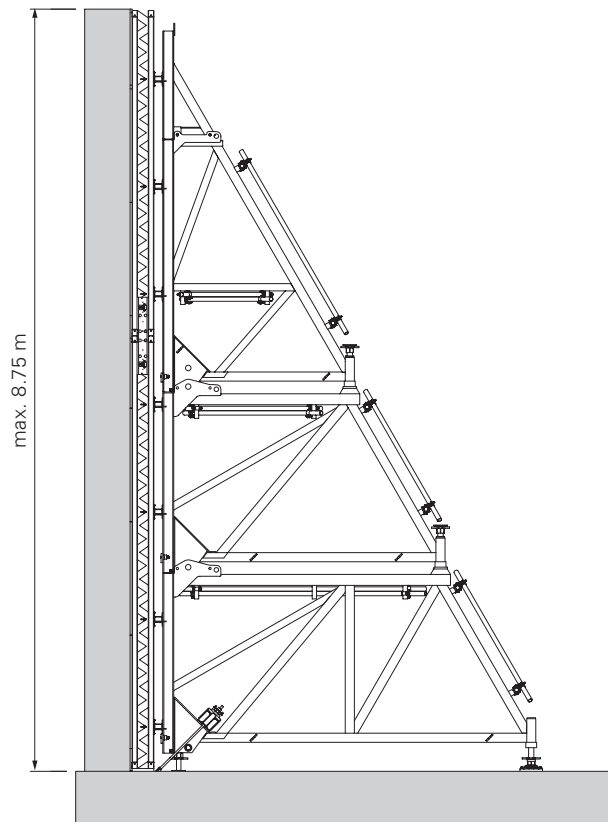


- The support (connection) of the elements must always occur at the position where the tie rod is installed for normal use (double-sided).
- Failure to do so results in the static system of the formwork unit being changed which could lead to large deformations; even breakage in extreme cases ! Formwork unit is to be statically checked!
- When extending the formwork, take into account the information provided by PERI for the respective system!
- After concreting or moving each time, the mountings/wedges are to be checked and, if necessary, permanently secured.

Girder formwork VARIO GT 24, RUNDFLEX and RUNDFLEX Plus



- Assembly is to take place horizontally and with the crane.
- Place the formwork unit on a tidy, flat and sufficiently load-bearing surface. Place timbers underneath.
- Depending on the top edge of the Brace Frame, the concreting platform can only be assembled using individual brackets and guardrail posts along with decking and handrail boards supplied by the contractor.
- Take into account permissible widths of influence; see PERI Design Information Brace Frame SB.



B2 Connecting to the Systems SB-A0, A, B, C

Assembly on VARIO GT 24

Max. concreting height $h = 8.75$ m.

Take into account the respective system Instructions for Assembly and Use.

Required components per waler section:

30	Waler Connector SB-A, B, C	1x
30.1	Wedge K	1x

Alternative

Hook Strap SB-1, 2.

Connecting with Waler Connector SB-A, B, C

1. Place Brace Frame in position with the crane.
2. Slide the required number of Waler Connectors (30) onto the profile of the Brace Frame - amount depends on the length of the waler.
3. Adjust the formwork support (20.8) to the required height (stop).
4. Lower the Brace frame, and push the Waler Connector through the steel waler. The bottom steel waler lies against the formwork support. (Fig. B2.01b)
5. Fix Waler Connectors with Wedge K (30.1) starting from the bottom.
6. Mount second Brace Frame.
7. Brace the Brace Frames with scaffold tubes (horizontal and vertical), see B3. (Fig. B2.01 - B2.01c)
8. Check all fixing points to ensure they are secure.
9. Release crane lifting gear.
10. Mount concreting platform: see Instructions for Assembly and Use of the formwork system.
11. Adjust height of the moving unit with the spindles.

Erection

Erect the unit with the crane on the load-bearing points, move, align and anchor, see B4.

Alternative

Hook Strap SB-1, 2 (33).

Put board underneath as slide protection.

(Fig. B2.01d)

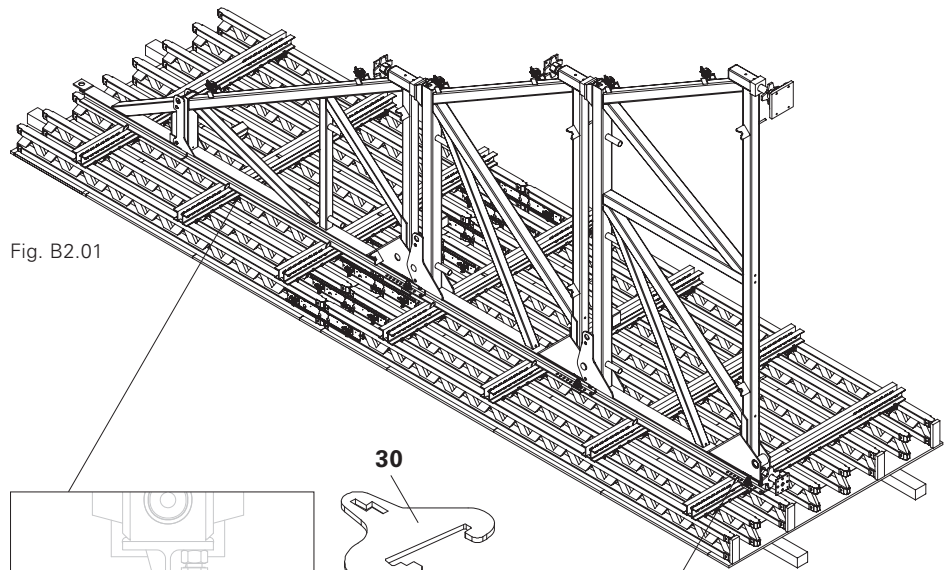


Fig. B2.01

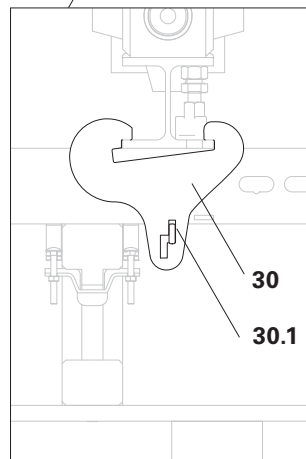


Fig. B2.01a

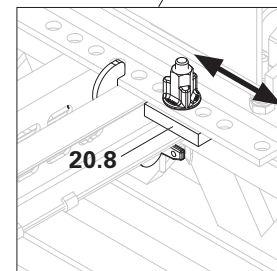
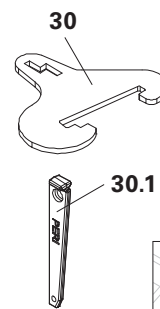


Fig. B2.01b

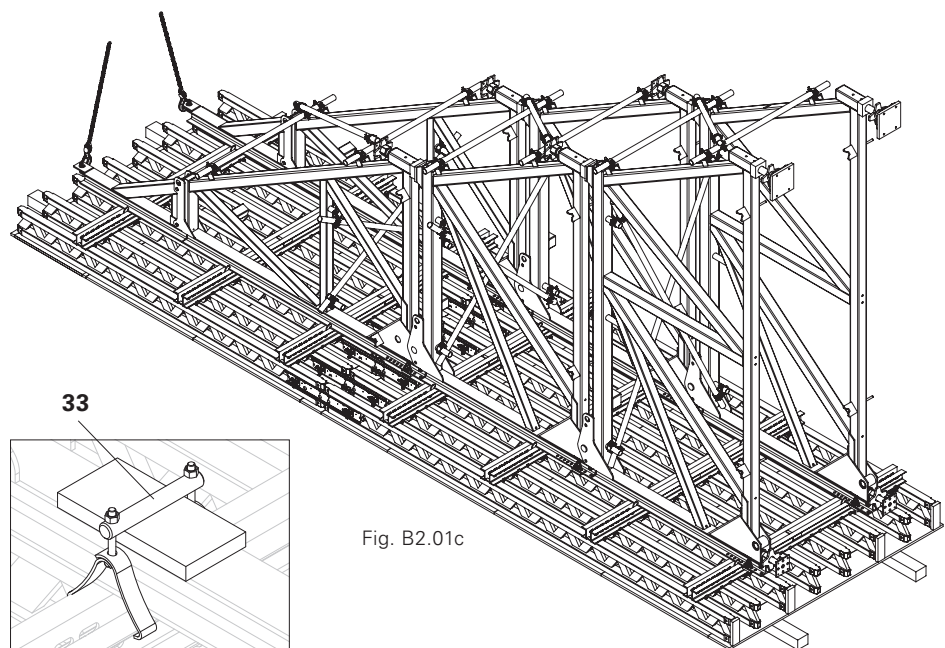


Fig. B2.01c

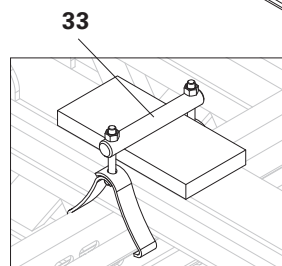


Fig. B2.01d

B2 Connecting to the Systems SB-A0, A, B, C

Assembly on RUNDFLEX

Max. concreting height $h = 8.40$ m.

Take into account the respective system Instructions for Assembly and Use.

Required components per waler section:

30	Waler Connector SB-A, B, C	1x
30.1	Wedge K	1x



- When planning, make sure that the ends of the Brace Frames do not touch (high elements, inner radius min. 6.0 m)
- The elements are adjusted to suit the radius.

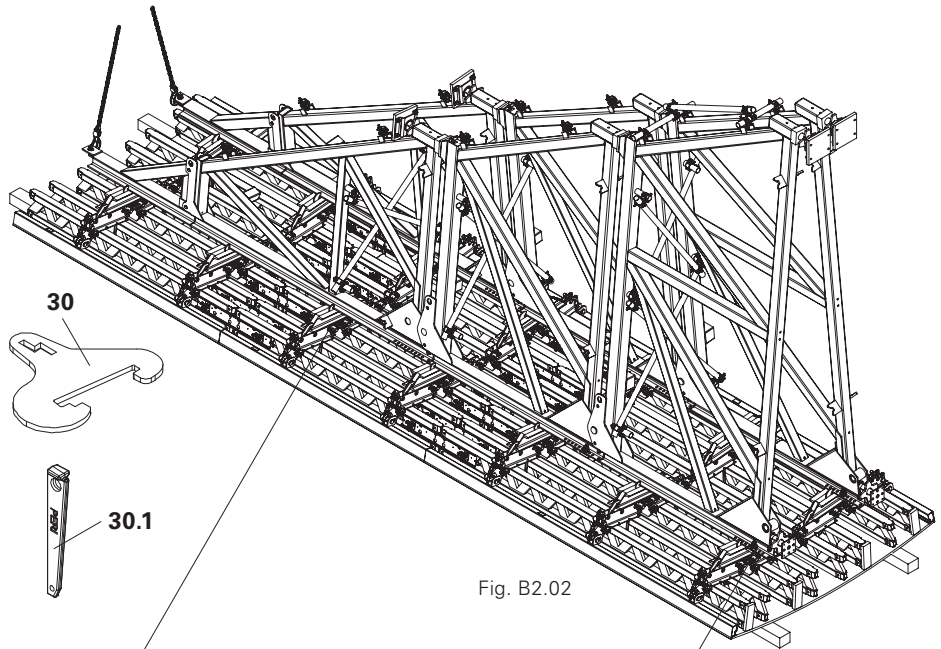


Fig. B2.02

Connecting with Waler Connector SB-A, B, C

1. Place Brace Frame in position with the crane.
2. Slide the required number of Waler Connectors (30) onto the profile of the Brace Frame - amount depends on the length of the waler.
3. Adjust the formwork support (20.8) to the required height (stop).
4. Lower the Brace frame, and push the Waler Connector through the Distribution Waler (39).

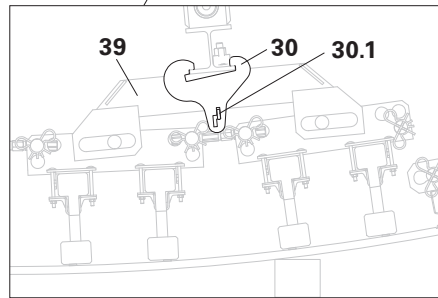


Fig. B2.02a

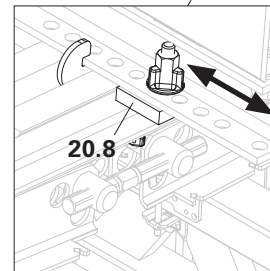


Fig. B2.02b

The bottom Distribution Waler lies against the formwork support.

5. Fix Waler Connectors with Wedge K (30.1) starting from the bottom. (Fig. B2.02 - B2.02b)
6. For further work steps, see Section B2 VARIO GT 24 from Point 6.

Example: VARIO, lifting the Brace Frame

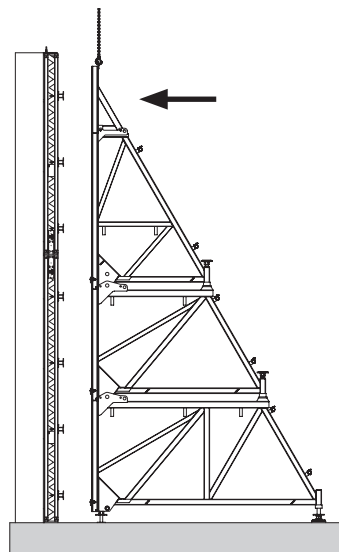


Fig. B2.03a

Example: RUNDFLEX mounted

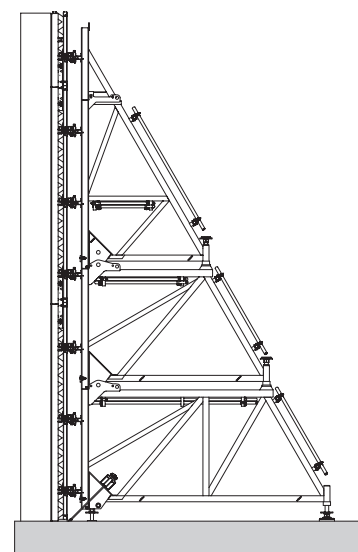


Fig. B2.03b

Assembly on vertically-positioned elements

VARIO GT 24 and RUNDFLEX

1. Erect, move and align the formwork unit and temporarily secure with push-pull props.
2. Lift the Brace Frame with the crane behind the steel walers/Distribution Walers. (Fig. B2.03a)
3. Slide Waler Connectors (30) onto the profiles of the Brace Frames, insert into the steel waler/Distribution Waler, and secure with Wedge K (30.1). (Fig. B2.02a + B2.03b)
The steel waler/Distribution Waler lies against the formwork support (20.8). (Fig. B2.02b)
4. For further work steps, see Section B2 VARIO GT 24 from Point 6.

B2 Connecting to the Systems SB-A0, A, B, C

Assembly on RUNDFLEX Plus
Max. concreting height $h = 8.40$ m.
Take into account the respective system Instructions for Assembly and Use.

Required components per waler section:

31 Brace Frame Connector RFP 1x



- When planning, make sure that the ends of the Brace Frames do not touch (high elements, inner radius min. 6.0 m)
- The elements are adjusted to suit the radius.

Connection with Brace Frame Connector RFP

1. Fix the Brace Frame Connectors RFP (31) in the Brace Connectors of the outer trapezoidal profiles, SW 24.
2. Adjust the formwork support (20.8) to the required height (stop).
3. Lift the Brace Frame with the crane into the opened Brace Frame Connectors RFP.
4. Close the Brace Frame Connectors RFP and secure with wedges. (Fig. B2.04 - B2.04b)
5. For further work steps, see Section B2 VARIO GT 24 from Point 6.

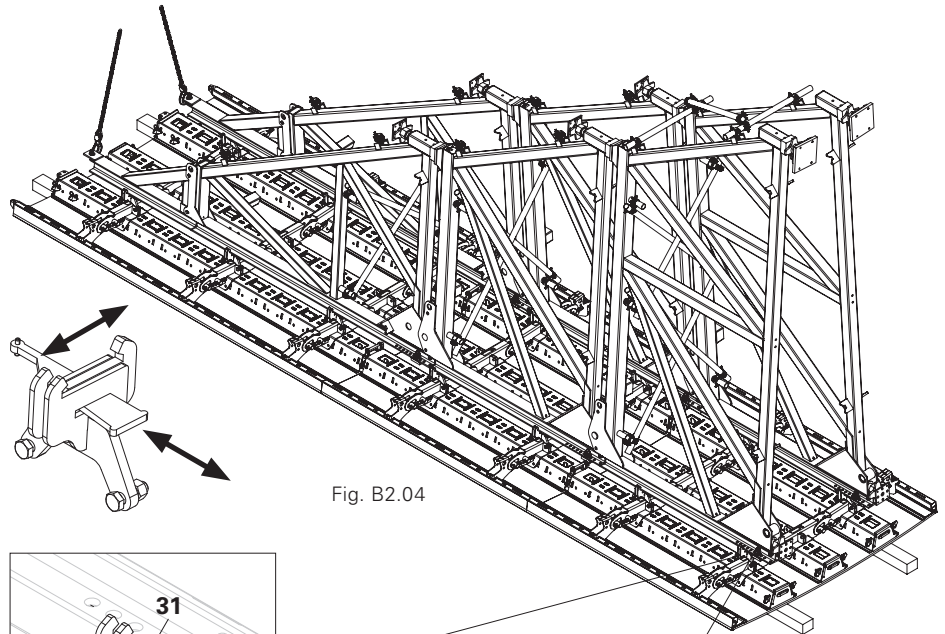


Fig. B2.04

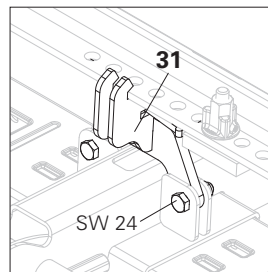


Fig. B2.04a

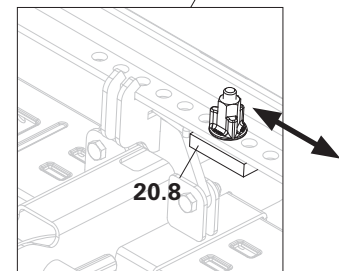


Fig. B2.04b

Assembly on vertically-positioned elements

Prepare element:

1. Fix the Brace Frame Connectors RFP (31) in the Brace Connectors of the outer trapezoidal profiles, SW 24.
2. Mount the concreting platform: see Instructions for Assembly and Use of the formwork system.
3. Fix temporary push-pull prop and kicker to the middle trapezoidal profile.
4. Erect unit, move to place of use, align and anchor.

Assembly of Brace Frame:

5. Lift Brace Frames with the crane into the opened Brace Frame Connectors RFP. Securely fix the wedges. Formwork support rests against these. (Fig. B2.05)
6. For further work steps, see Section B2 VARIO GT 24 from Point 6.
7. Remove temporary push-pull prop and kicker.

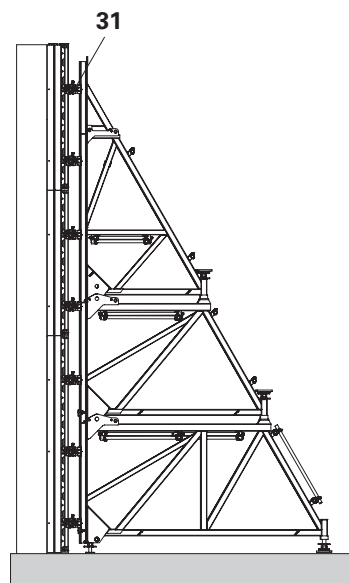


Fig. B2.05

SB Brace Frame for single-sided walls

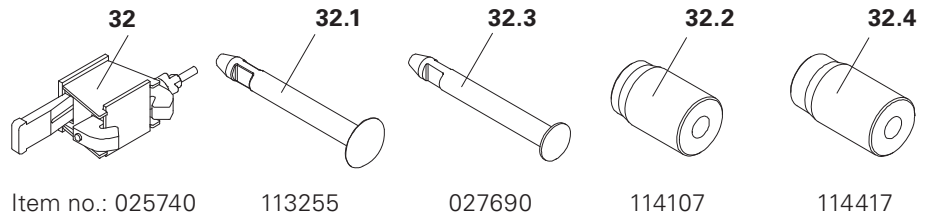
Instructions for Assembly and Use – Standard Configuration

B2 Connecting to the Systems SB-A0, A, B, C

Panel formwork MAXIMO, TRIO, DOMINO



- Assembly is to take place horizontally and with the crane.
- Place the formwork unit on a tidy, flat and sufficiently load-bearing surface. Place timbers underneath.
- Depending on the top edge of the Brace Frame, the concreting platform can only be assembled using individual brackets and guardrail posts along with decking and handrail boards supplied by the contractor.
- Take into account permissible widths of influence; see PERI Design Information Brace Frame SB.



Max. concreting height:
Vertical elements $h = 8.70 \text{ m}$
(Fig. B2.06)

Horizontal elements $h = 8.40 \text{ m}$

Take into account the respective system Instructions for Assembly and Use.

Required components per tie point: MAXIMO

32	Connector SB-A, B, C - MX/TR/D	1x
32.1	Bolt SB-MAXIMO	1x
32.2	Sleeve SB-MAXIMO	1x
32.4	Sleeve SB-MAXIMO WDMX*	1x

*with removable sealing Required components per tie point: TRIO, DOMINO

32	Connector SB-A, B, C - MX/TR/D	1x
32.3	Bolt SB-TRIO/DOMINO	1x

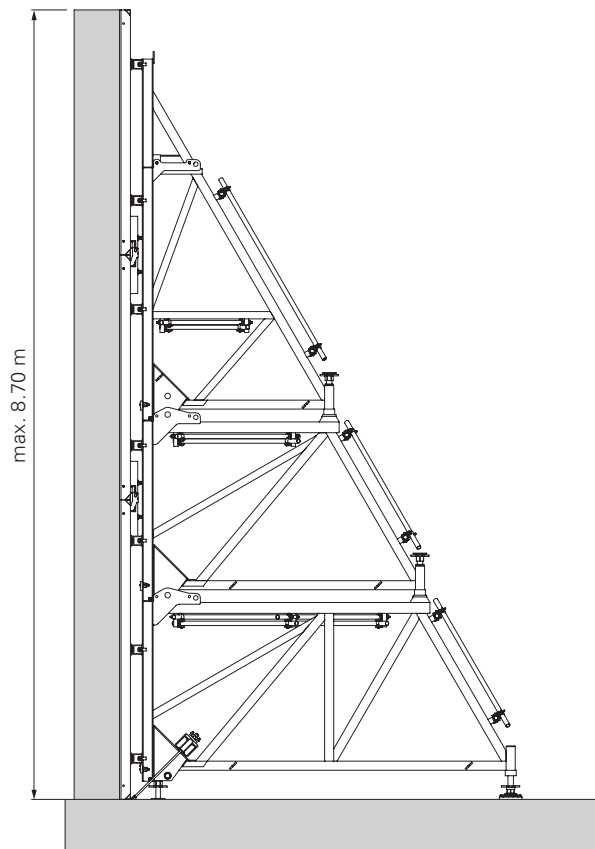


Fig. B2.06

B2 Connecting to the Systems SB-A0, A, B, C

Connecting the Connector SB-A, B, C - MX/TR/D with the element

Preparation

1. Position the element or element unit on trestles.
2. Insert sleeves (32.2 or 32.4) into the anchor holes; only with MAXIMO.
3. Insert Bolts SB (32.1 or 32.3) from below.
4. Lay Connector SB (32) on the anchor hole and securely fix with a wedge.
5. Fix additional Connectors SB to the anchor holes. (Fig. B2.07)

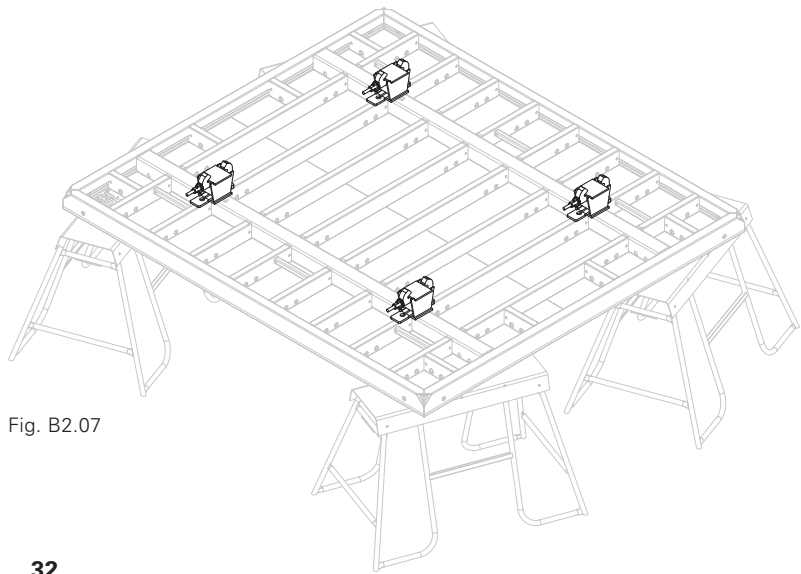
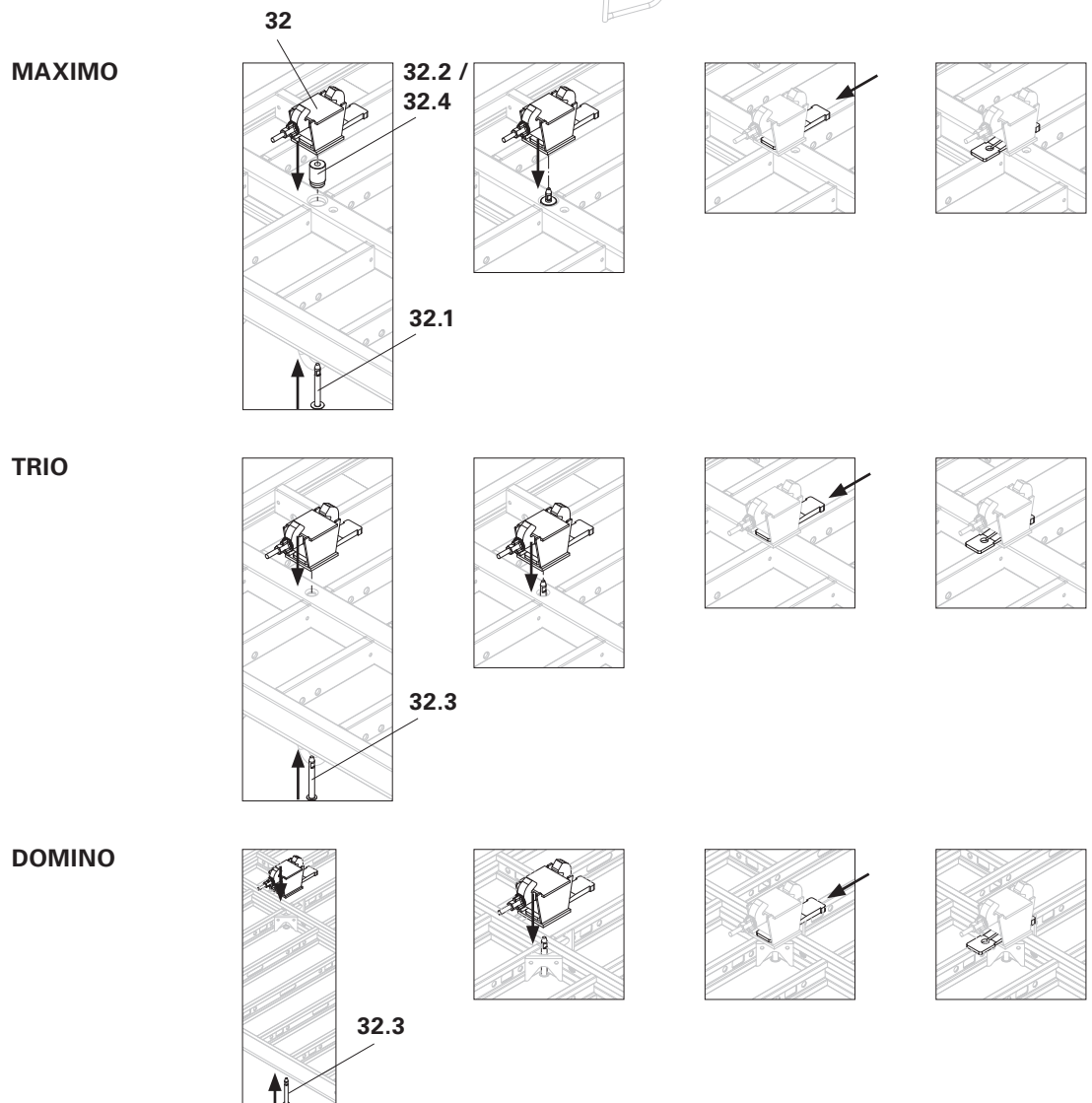


Fig. B2.07



B2 Connecting to the Systems SB-A0, A, B, C

Mounting the Brace Frame

1. Position the element or element unit on timbers.
2. Adjust the formwork support (20.8) to the required height (stop).
3. Open clamping jaws (32.5).
4. Lift the Brace Frame with the crane into the opened Brace Frame Connectors SB-A, B, C.
The bottom Connector SB lies against the formwork support.
4. Close clamping jaws with cam nuts beginning from the bottom.
(Fig. B2.08 + B2.08a)

For further work steps, see Section B2 VARIO GT 24 from Point 6.

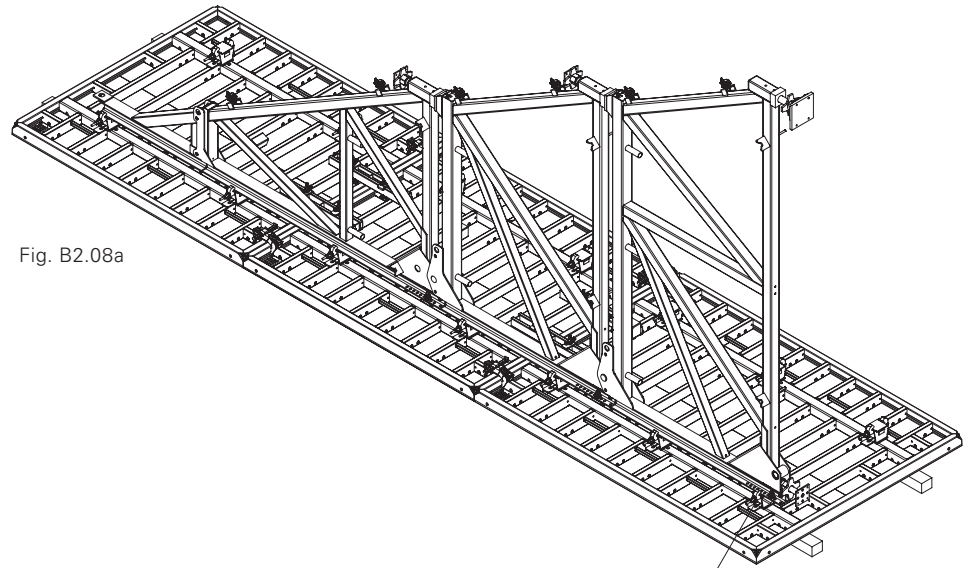


Fig. B2.08a

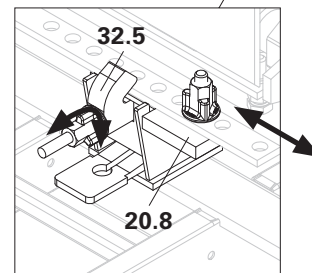


Fig. B2.08b

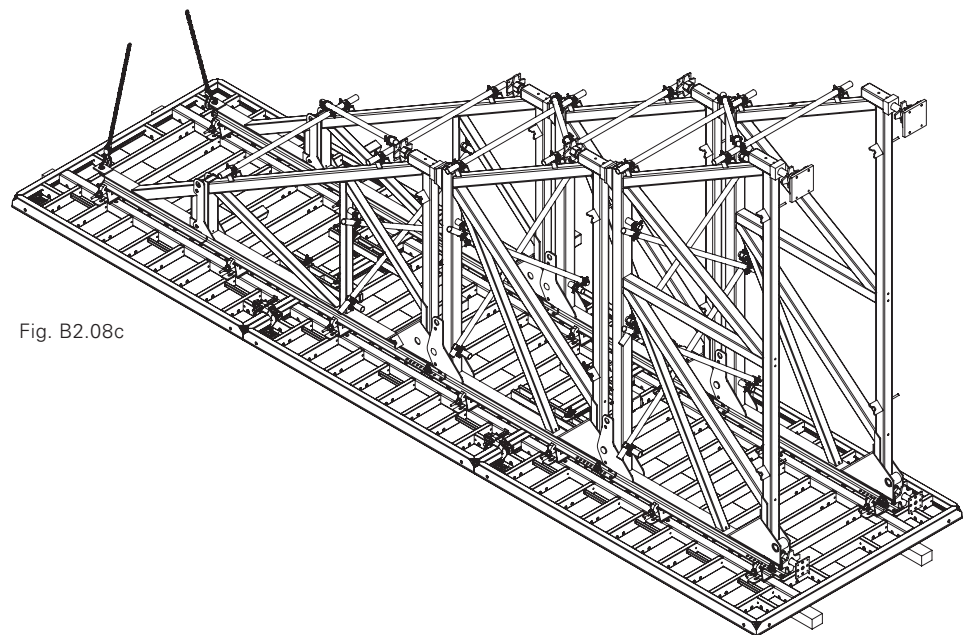


Fig. B2.08c

B3 Bracing SB-A0, A, B, C

Diagonal bracing



- Diagonal bracing is required when moving and transferring the formwork unit with the crane.
- Diagonal bracing is in part required depending on the Brace Frame combination.
- Values for the individual Brace Frame combinations depend on height, permissible width of influence and fresh concrete pressure: see PERI Design Information Brace Frame SB.
- The illustrations are examples only and show the diagonal bracing required when transferring Brace Frames.
- Diagonal bracing is assembled horizontally except for "vertical assembly".

(Fig. B3.02)

Required components:

- | | |
|-------------|--|
| 40 | Scaffold tube \varnothing 48.3 x 3.2 |
| 40.1 | Scaffold tube optional |
| 41 | Swivel Couplers 48/48 mm |

Concreting heights
(Fig. B3.01a - B3.01h)

Assembly

Assembly from bottom to top.

1. Fix horizontal scaffold tubes in the available couplers.
2. Fix diagonal scaffold tubes to the horizontal scaffold tubes or coupling tubes with the Swivel Couplers.
3. Depending on the respective width of influence, optional scaffold tubes can be left out or have to be mounted during concreting and/or moving: see PERI Design Information Brace Frame SB.

h = 2.50 – 3.00 m

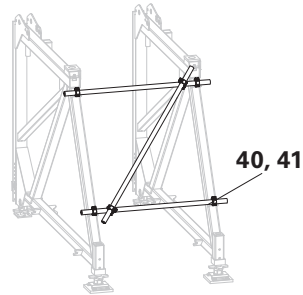


Fig. B3.01a

h = 2.50 – 4.00 m

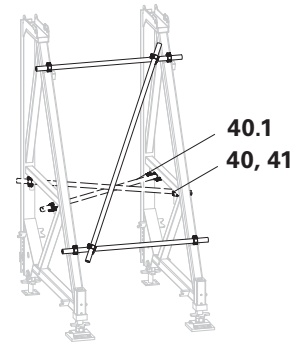


Fig. B3.01b

h = 2.75 – 4.00 m

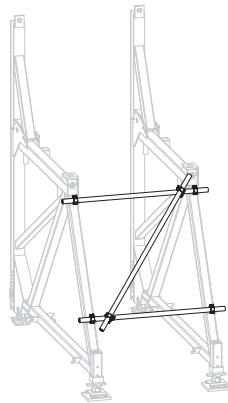


Fig. B3.01c

h = 3.75 – 5.00 m

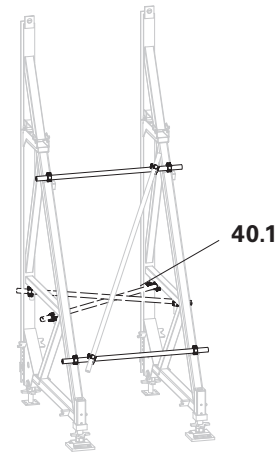


Fig. B3.01d

h = 3.75 – 6.00 m

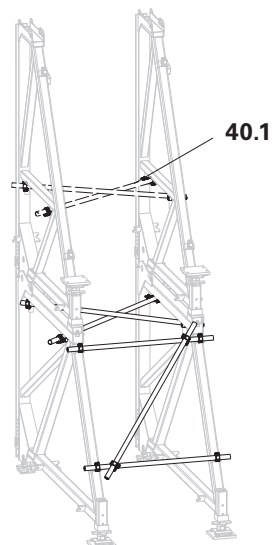


Fig. B3.01e

B3 Bracing SB-A0, A, B, C

h = 5.50 – 6.75 m

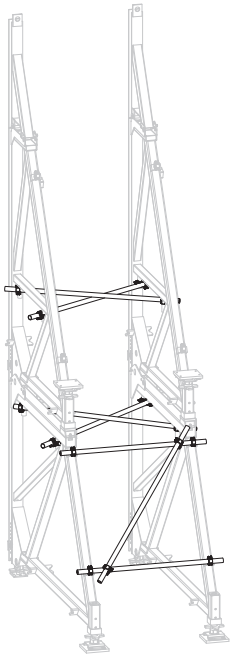


Fig. B3.01f

h = 6.75 – 8.75 m

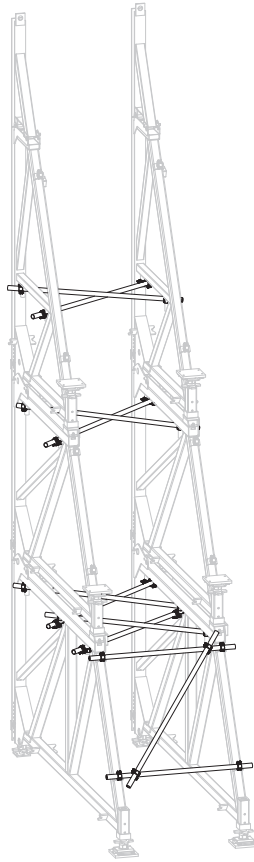


Fig. B3.01g

h = 8.75 m

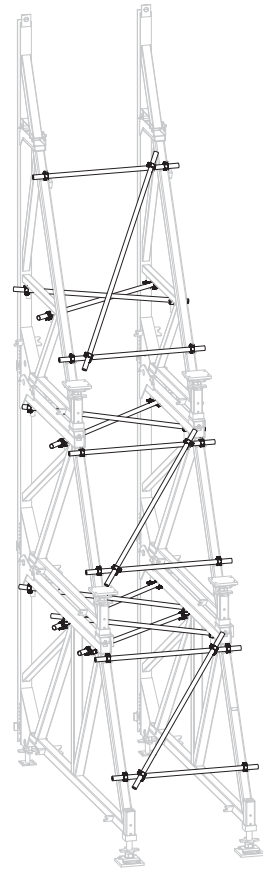


Fig. B3.01h

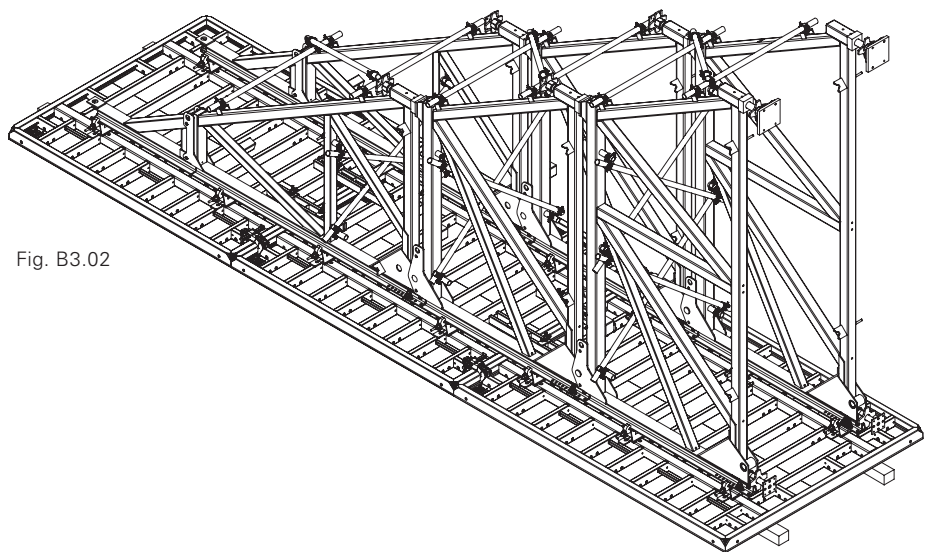


Fig. B3.02

With the crane



- Always attach transportable units when transporting to the designated load-bearing points on the Brace Frame!
- Do not exceed the permissible load-bearing capacity!
- Do not release the transportable unit from the concrete with the crane!
- Before moving each time, always check the mountings / wedges. If necessary, secure wedges with cotter pins or screws.
- Minimum load-bearing capacity of the textile strap: 2.0 t

Technical data

Permissible capacity of load-bearing point SB-C

1.5 t with a lifting chain angle $\leq 15^\circ$

Attaching

- Always attach Brace Frame combinations with Brace Frame SB-C to the SB-C.

(Fig. B4.01)

- Wrap textile strap around Brace Frame combinations without Brace Frame SB-C and attach to the crane.

(Fig. B4.02)

Table

Determining the weight of the transportable units

Transportable unit consists of:
2 x Brace Frame including diagonal bracing without anchoring.

The weight of the formwork with 60 kg/m² and the connecting components must be added to the weight of the respective transportable unit.

Brace Frame combination	Weight / Transportable Unit
SB-A0	925 kg
SB-A	700 kg
SB-B	625 kg
SB-A, C	800 kg
SB-A, B	1300 kg
SB-B, C	725 kg
SB-A, B, C	1400 kg
SB-A0, A, B, C	2275 kg

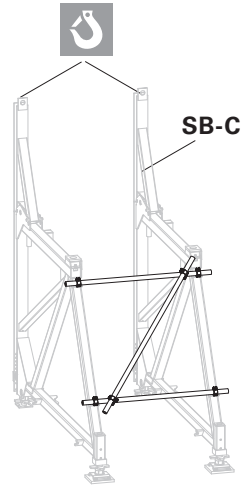


Fig. B4.01

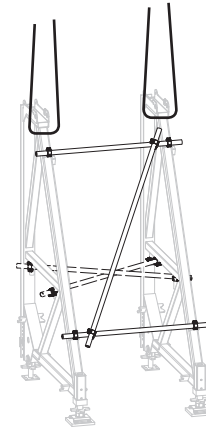


Fig. B4.02

With Guide Roller SB-A, B

Required components:

42	Guide Roller SB-A, B	2x
----	----------------------	----



Ensure stability!

Preparation

- Determine the centre of gravity of the dead weight (formwork and Brace Frame).
- Determine the overall centre of gravity S
- For determining the stability, the wind load is unfavourably set.
- Take the ballast into consideration. (Fig. B4.05)
- Include Guide Rollers in the planning so that the overall centre of gravity lies between the rollers. (Fig. B4.04)

Assembly

1. Push back the wedge (42.1).
2. Push the Guide Roller (42) over the profile tube and secure with a wedge. (Fig. B4.03a + B4.03b)

Concreting



For concreting, the Guide Roller is to be spindled free of load. Load transfer takes place via the spindles on the Brace Frame.

Moving

Move unit slowly and without the help of any power-operated pulling means.

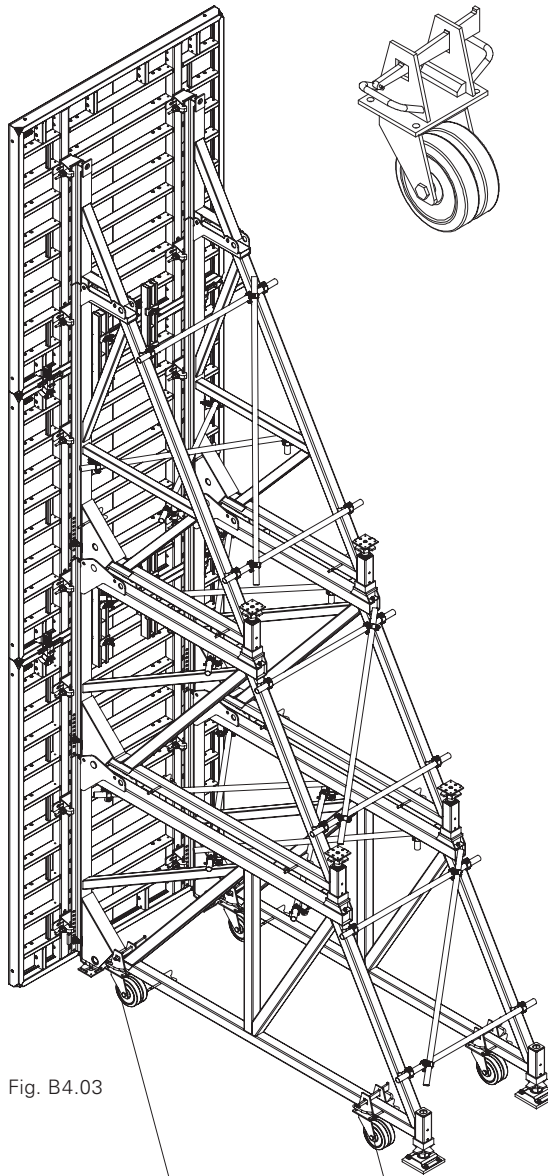


Fig. B4.03

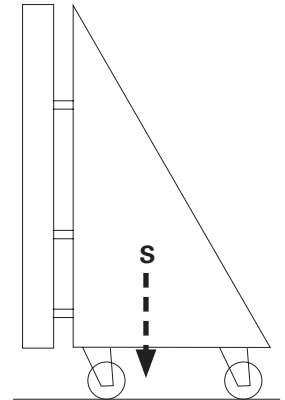


Fig. B4.04

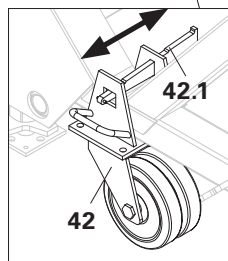


Fig. B4.03a

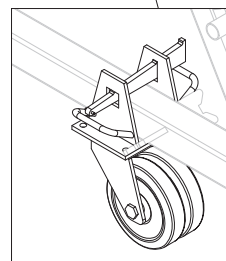


Fig. B4.03b

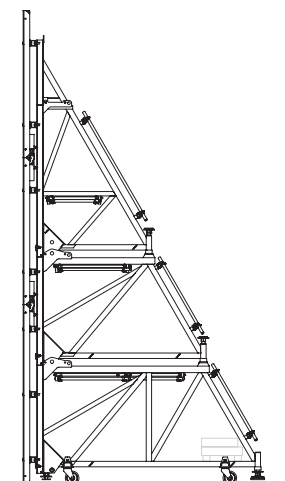


Fig. B1.05

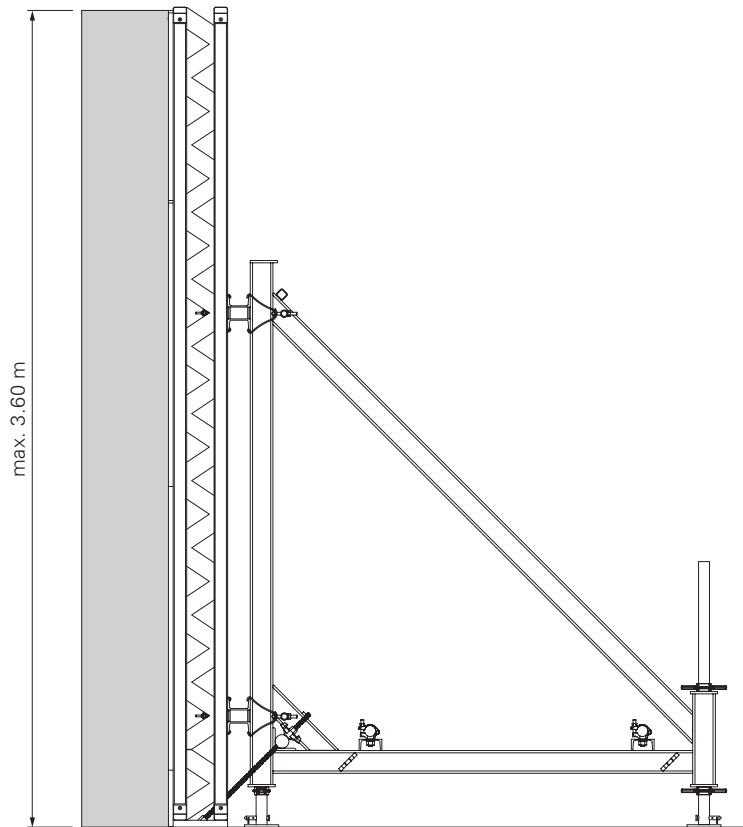
C1 Connecting to the Systems SB-1

General



- The support (connection) of the elements must always occur at the position where the tie rod is installed for normal use (double-sided).
- Failure to do so results in the static system of the formwork unit being changed which could lead to large deformations; even breakage in extreme cases! Formwork unit is to be statically checked!
- When extending the formwork, take into account the information provided by PERI for the respective system!
- After concreting or moving each time, the mountings/wedges are to be checked and, if necessary, permanently secured.

VARIO GT

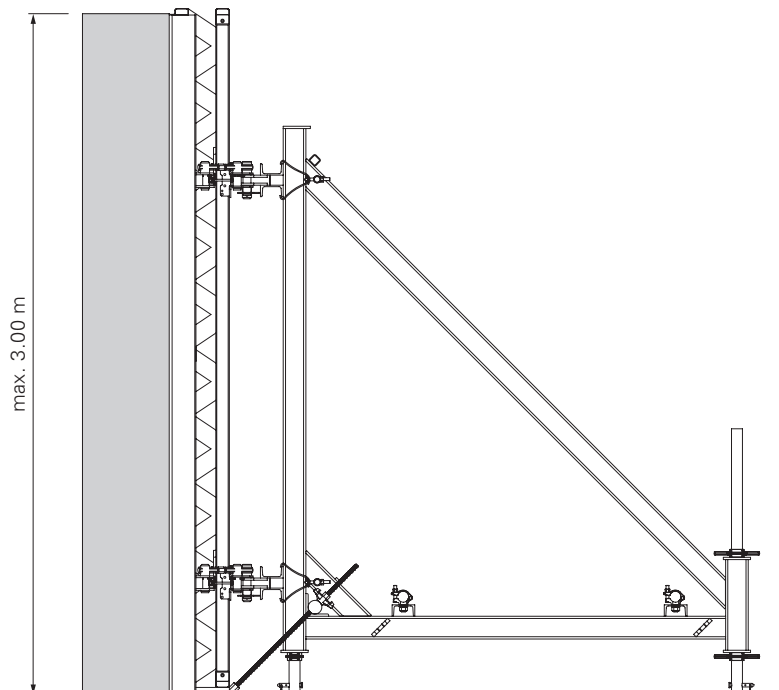


Girder formwork VARIO GT 24, RUNDFLEX



- Assembly is to take place horizontally and with the crane.
- Place the formwork unit on a tidy, flat and sufficiently load-bearing surface. Place timbers underneath.
- Depending on the top edge of the Brace Frame, the concreting platform can only be assembled using individual brackets and guardrail posts along with decking and handrail boards supplied by the contractor.
- Take into account the permissible widths of influence and bracing: see PERI Design Information Brace Frame SB.

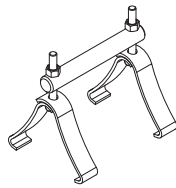
RUNDFLEX



C1 Connecting to the Systems SB-1

Connecting to VARIO GT 24
Max. concreting height $h = 3.60$ m

Connecting to RUNDFLEX
Max. concreting height $h = 3.00$ m



Take into account the respective system Instructions for Assembly and Use.

Required components per waler section:

33 Hook Strap SB-1, 2	1x
------------------------------	----

Alternative: Hook Strap SB-2, asymmetric

Connecting with Hook Strap SB-1, 2

1. Place Brace Frame in position with the crane and set down on steel waler/Distribution Waler.
2. Release nut on the Hook Strap (33) and push bolt through the hole on the Brace Frame.
3. Mount hook on the steel waler/Distribution Waler, and secure Hook Strap with nut.
(Fig. C1.01a at top, C1.01b at bottom)
4. Attach additional Hook Straps to the next steel waler/Distribution Waler.
5. Release crane lifting gear.
6. Mount second Brace Frame.
7. Brace the Brace Frames with scaffold tubes (40) (horizontal and vertical).
8. Check all fixing points to ensure they are secure.
9. Release crane lifting gear
10. Mount concreting platform: see Instructions for Assembly and Use of the system.
11. Adjust height of the transportable unit with the spindles.

VARIO GT

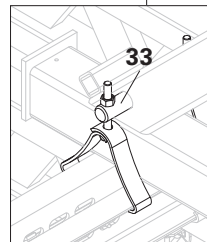
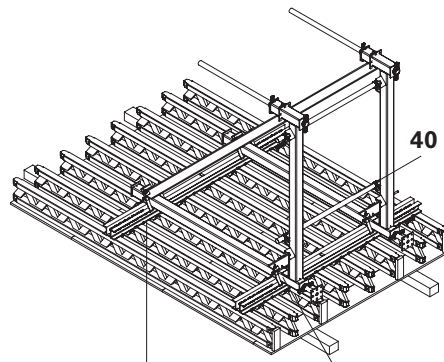


Fig. C1.01a

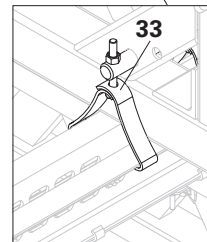


Fig. C1.01b

RUNDFLEX

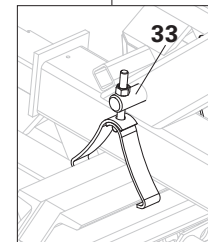
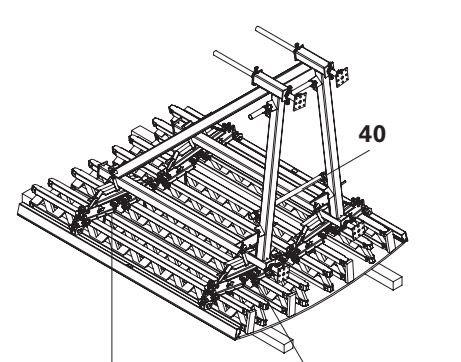


Fig. C1.01a

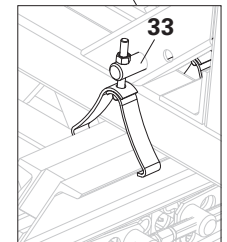


Fig. C1.01b

Erection

Erect, move, align and anchor transportable unit with textile strap and crane, see C2.

C1 Connecting to the Systems

SB-1

Panel formwork MAXIMO, TRIO, DOMINO



- Assembly is to take place horizontally and with the crane.
- Place the formwork unit on a tidy, flat and sufficiently load-bearing surface. Place timbers underneath.
- Depending on the top edge of the Brace Frame, the concreting platform can only be assembled using individual brackets and guardrail posts along with decking and handrail boards supplied by the contractor.
- Take into account the permissible widths of influence and bracing: see PERI Design Information Brace Frame SB.

Max. concreting height:

Vertical element h = 3.30 m

Horizontal element h = 2.40 m

Extended element h = 3.60 m

Take into account the respective system Instructions for Assembly and Use.

Required components per Connector for MAXIMO:

34	Connector SB-1, 2 - MX/TR/D	1x
33	Hook Strap SB-1, 2	2x
	Board 3 x 14	1x
32.1	Bolt SB-MAXIMO	2x
32.2	Sleeve SB-MAXIMO	2x
32.4	Sleeve SB-MAXIMO WDMX*	2x

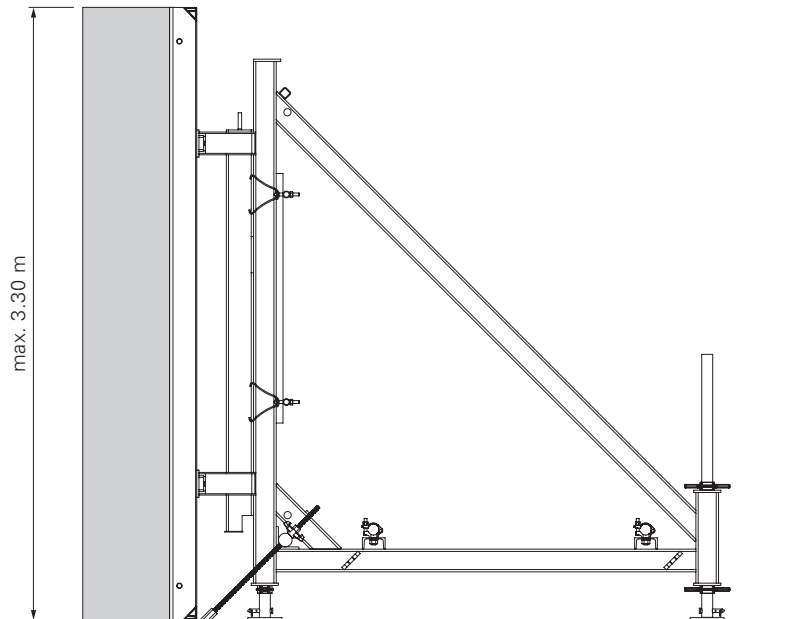
*with removable sealing Required components per Connector for TRIO, DOMINO:

34	Connector SB-1, 2 - MX/TR/D	1x
33	Hook Strap SB-1, 2	2x
	Board 3 x 14	1x
32.3	Bolt SB-TRIO/DOMINO	2x

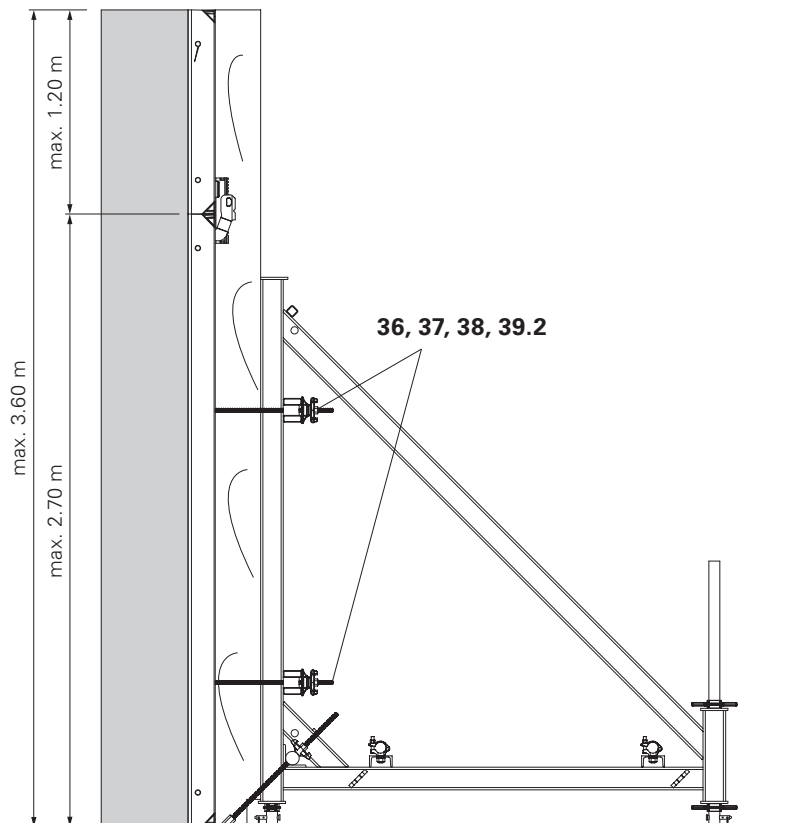
Additional components per Brace Frame when extending:

36	Compensation Waler MAR 85	2x
37	Tie Rod DW 15	4x
38	Hook Tie Head DW 15	4x
39.2	Wingnut Pivot Plate DW 15	4x

MAXIMO, TRIO, DOMINO Element vertical



MAXIMO, TRIO, DOMINO elements extended



C1 Connecting to the Systems SB-1

Connecting the Connector SB-1, 2 - MX/TR/D with the element

Preparation

1. Position the element or element unit on trestles.
2. Insert sleeves (32.2 or 32.4) into the anchor holes of the element; only with MAXIMO.
3. Position the Connector SB (34) with the connections on the anchor holes.
4. Insert Bolts SB-MAXIMO (32.1) or Bolts SB-TRIO/DOMINO (32.3) from below.
5. Fix Connector SB to both anchor holes with wedges (34.1).
6. Fix additional Connectors SB to the anchor holes.
(Fig. C1.02)

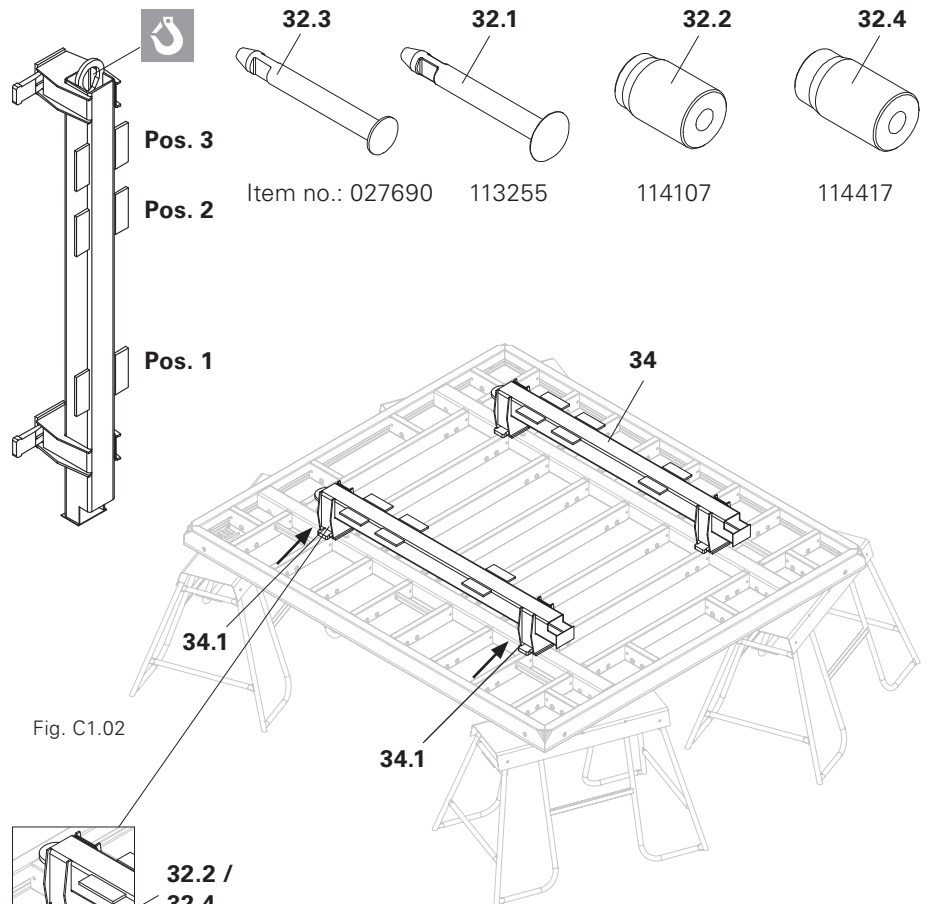


Fig. C1.02

Mounting the Brace Frame

1. Position the element or element unit on timbers.
2. Swivel in Brace Frame with the crane and position on the Connector SB (34).
3. Mount two Hook Straps (33) to the lugs (Pos. 1 + Pos. 3) of the Connector SB and secure with nuts. Put board underneath as slide protection.
(Fig. C1.03)
If a connection at Position 3 is not possible, then use Position 2.
4. Release crane lifting gear.
5. Mount second Brace Frame.
6. Brace the Brace Frames horizontally and vertically with scaffold tubes (40).
(Fig. C1.03)
7. Check all fixing points to ensure they are secure.
8. Mount concreting platforms.
9. Adjust height of the transportable unit with the spindles.

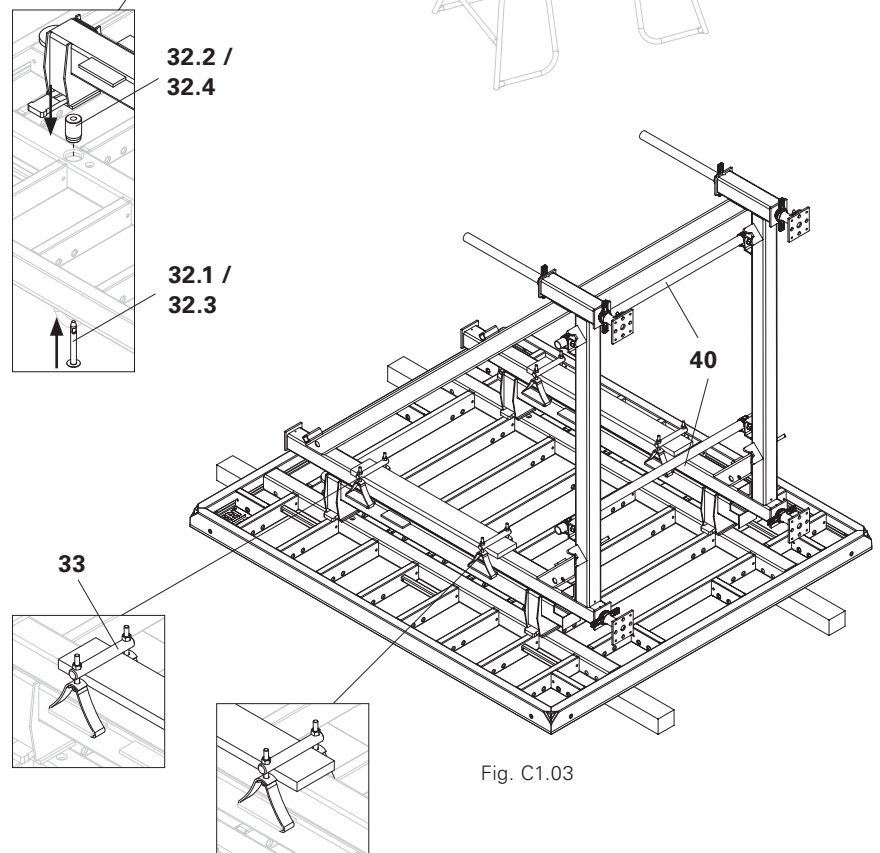


Fig. C1.03

Erection

Permissible capacity of load-bearing point: 1.0 t with a crane sling angle of $\leq 15^\circ$.

Erect, move, align and anchor transportable unit with the crane on the load-bearing points.

General



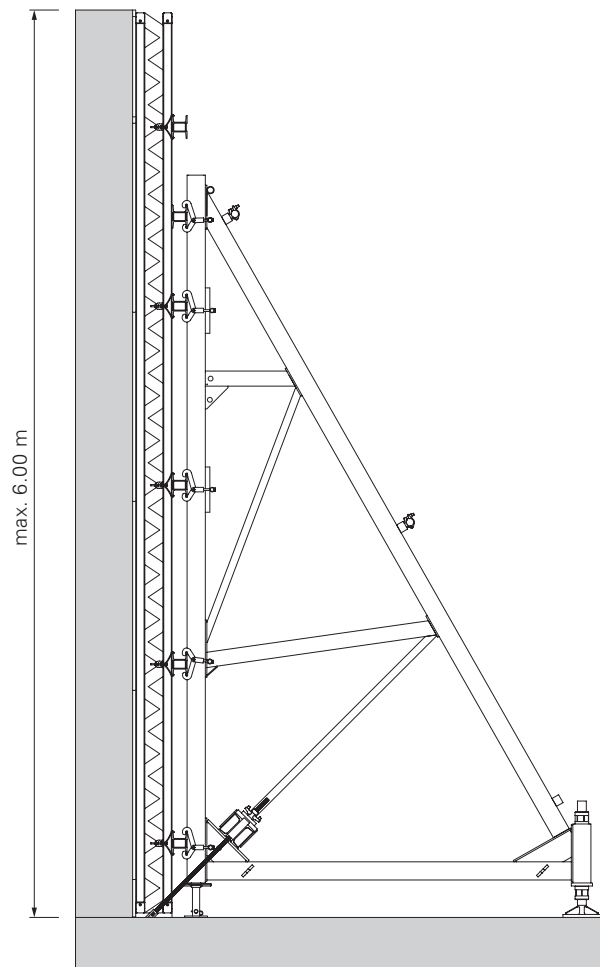
- The support (connection) of the panels must always occur at the position where the tie rod is installed for normal use (double-sided). Failure to do so results in the static system of the formwork unit being changed which could lead to large deformations; even breakage in extreme cases! Formwork unit is to be statically checked!
- When extending the formwork, take into account the information provided by PERI for the respective system!
- After concreting or moving each time, the mountings/wedges are to be checked and, if necessary, permanently secured.

Girder formwork VARIO GT 24, RUNDFLEX



- Assembly is to take place horizontally and with the crane.
- Place the formwork unit on a tidy, flat and sufficiently load-bearing surface. Place timbers underneath.
- Depending on the top edge of the Brace Frame, the concreting platform can only be assembled using individual brackets and guardrail posts along with decking and handrail boards supplied by the contractor.
- Take into account the permissible width of influence; see PERI Design Information Brace Frame SB.

VARIO GT



C1 Connecting to the Systems SB-2

Connecting to VARIO GT 24
Max. concreting height $h = 6.00$ m.

Connecting to RUNDFLEX
Max. concreting height $h = 5.40$ m.

Take into account the respective system Instructions for Assembly and Use.

Required components per waler section:

35 Hook Strap SB-2, asymmetrical 1x

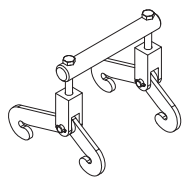
Alternative
Hook Strap SB-1, 2.

Connecting with Hook Strap SB-2

1. Place Brace Frame in position with the crane and set down on steel waler/Distribution Waler.
2. Release one bolt, SW 19, on the Hook Strap and push bolt through the hole on the Brace Frame. Screw in bolt.
3. Mount hook on the steel waler/Distribution Waler and tighten.
4. Fix Hook Straps to all steel walers/Distribution Walers.
(Fig. C1.04a, C1.05a at top, C1.04b, C1.05b at bottom)
5. Release crane lifting gear.
6. Mount second Brace Frame.
7. Brace the Brace Frames with scaffold tubes (40) (horizontal and vertical).
8. Mount concreting platforms.
9. Adjust height of the transportable unit with the spindles.

Erection

Erect, move, align and anchor transportable unit with textile straps and crane, see C2.



VARIO GT

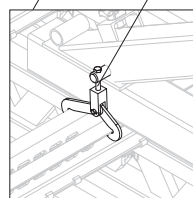
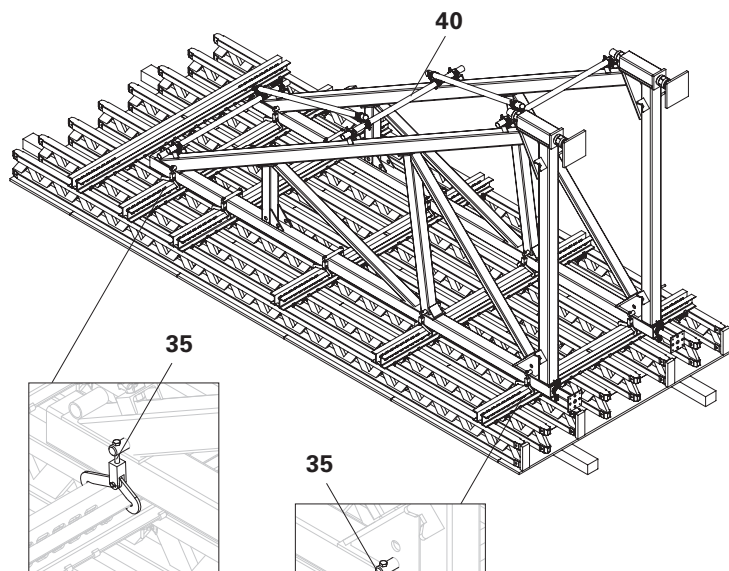


Fig. C1.04a

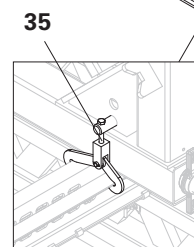


Fig. C1.04b

RUNDFLEX

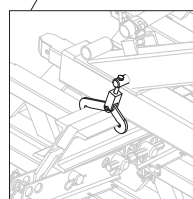
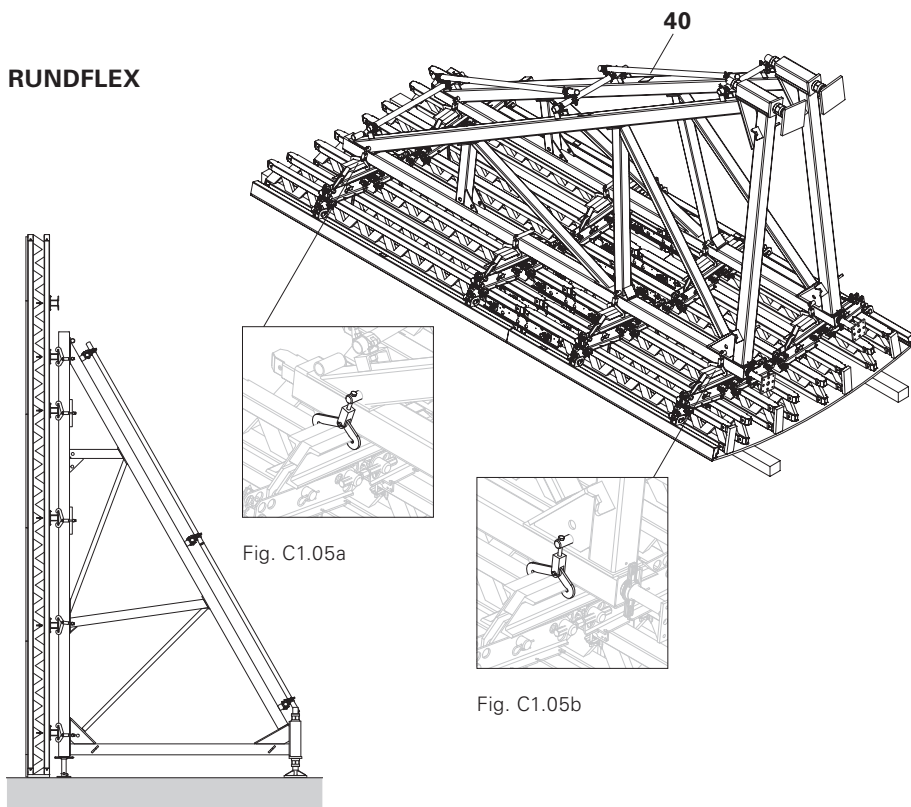


Fig. C1.05a

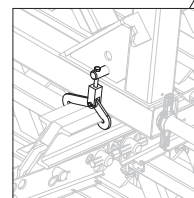


Fig. C1.05b

C1 Connecting to the Systems SB-2

Panel formwork MAXIMO, TRIO, DOMINO



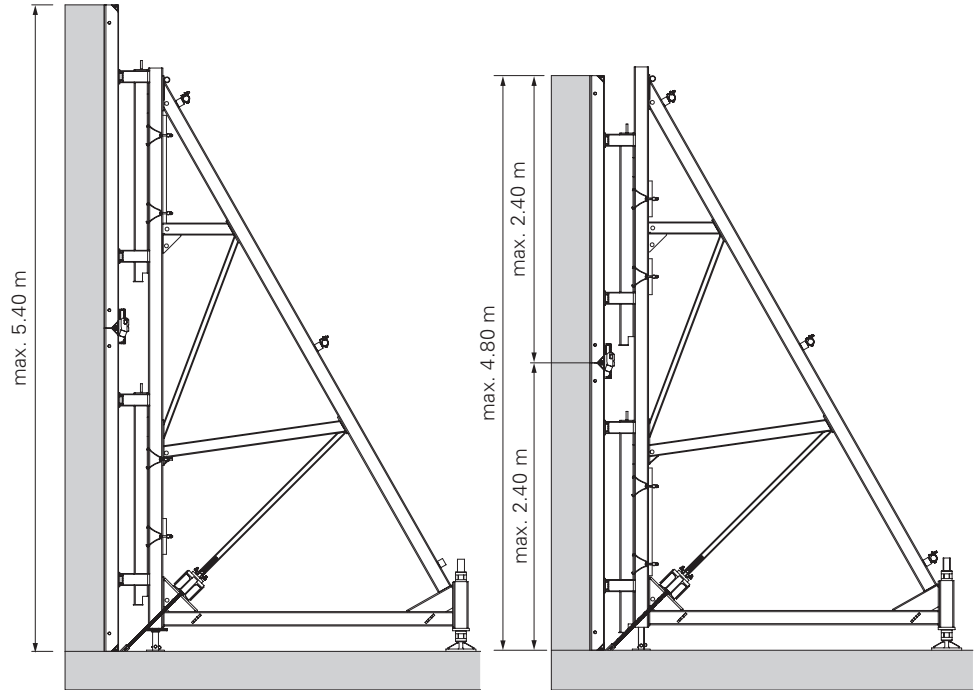
- Assembly is to take place horizontally and with the crane.
- Place the formwork unit on a tidy, flat and sufficiently load-bearing surface. Place timbers underneath.
- Depending on the top edge of the Brace Frame, the concreting platform can only be assembled using individual brackets and guardrail posts along with decking and handrail boards supplied by the contractor.
- Take into account the permissible widths of influence: see PERI Design Information Brace Frame SB.

Max. concreting height:
Vertical element h = 5.40 m
Horizontal element h = 4.80 m
Extended element h = 6.00 m
Take into account the respective system Instructions for Assembly and Use.

MAXIMO, TRIO, DOMINO elements

vertical

horizontal



Required components per Connector for MAXIMO:

34	Connector SB-1, 2 - MX/TR/D	1x
33	Hook Strap SB-1, 2	2x
	Board 3 x 14	1x
32.1	Bolt SB-MAXIMO	2x
32.2	Sleeve SB-MAXIMO	2x
32.4	Sleeve SB-MAXIMO WDMX*	2x

*with removable sealing

Required components per Connector for TRIO, DOMINO:

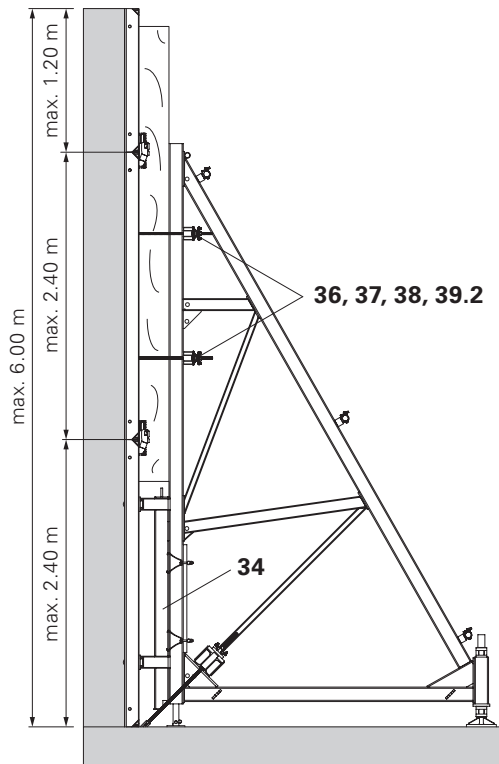
34	Connector SB-1, 2 - MX/TR/D	1x
33	Hook Strap SB-1, 2	2x
	Board 3 x 14	1x
32.3	Bolt SB-TRIO/DOMINO	2x

Alternative: Hook Strap SB-2, asymmetric

Additional components per Brace Frame when extending:

34	Connector SB-1, 2	1x
36	Compensation Waler MAR 85	2x
37	Tie Rod DW 15	4x
38	Hook Tie Head DW 15	4x
39.2	Wingnut Pivot Plate DW 15	4x

MAXIMO, TRIO, DOMINO elements extended



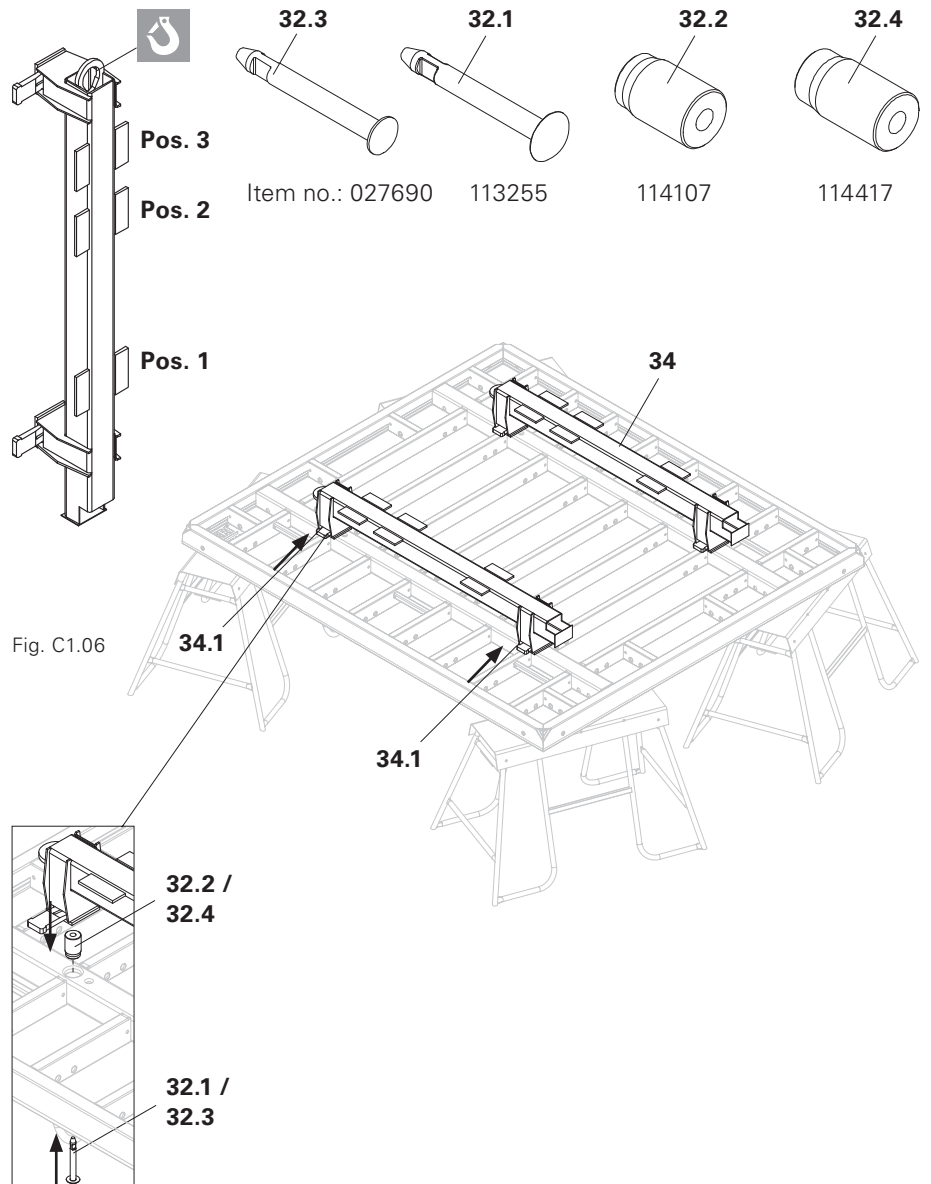
C1 Connecting to the Systems SB-2

Connecting the Connector SB-1, 2 - MX/TR/D with the element

Take into account the respective system Instructions for Assembly and Use.

Preparation

1. Position the element or element unit on trestles. Element connections: see Instructions for Assembly and Use of the system.
2. Insert sleeves (32.2 or 32.4) into the anchor holes of the element; only with MAXIMO.
3. Position the Connector SB (34) with the connections on the anchor holes.
4. Insert Bolts SB-MAXIMO (32.1) or Bolts SB-TRIO/DOMINO (32.3) from below.
5. Fix Connector SB to both anchor holes with wedges (34.1).
6. Fix additional Connectors SB to the anchor holes.
(Fig. C1.06)



Panel formwork MAXIMO, TRIO, DOMINO

Mounting the Brace Frame

1. Position the element or element unit on timbers.
2. Place Brace Frame in position with the crane and position on the Connector SB (34). Top edge of Brace Frame = top edge of Connector SB.
3. Mount two Hook Straps (33) on the lugs (Pos. 2 + Pos. 3) of the Connector SB and secure with nuts. Put board underneath as slide protection. (Fig. C1.07a)
4. Release crane lifting gear.
5. Mount second Brace Frame.
6. Brace the Brace Frames with scaffold tubes (40) (horizontal and vertical). (Fig. C1.07)
7. Mount concreting platforms.
8. Adjust height of the transportable unit with the spindles.

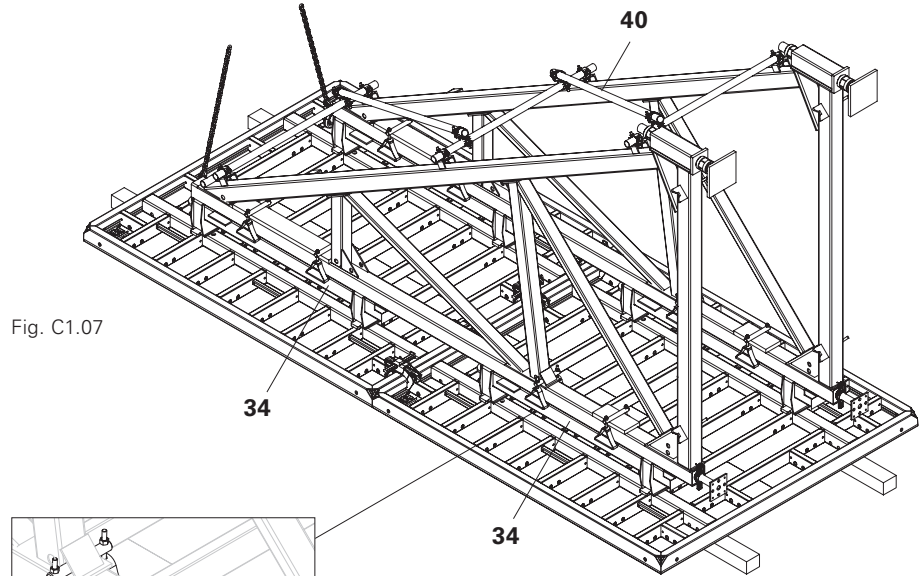


Fig. C1.07

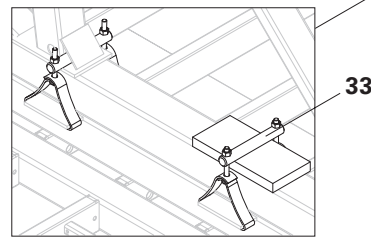
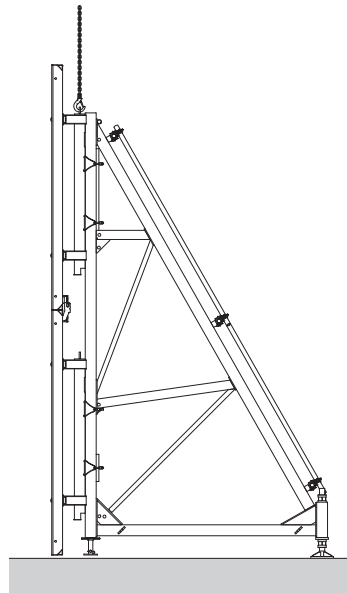


Fig. C1.07a

Erection

Permissible capacity of load-bearing point: 1.0 t with a crane sling angle of $\leq 15^\circ$.

Erect, move, align and anchor transportable unit with the crane on the load-bearing points.



C1 Connecting to the Systems SB-2

With the crane



- Always attach transportable units when transporting to the designated load-bearing points on the Brace Frame!
- Do not exceed the permissible load-bearing capacity!
- Do not release the transportable unit from the concrete with the crane!
- Before moving each time, always check the mountings/wedges. If necessary, secure wedges with cotter pins or screws.

Technical data

- Permissible load-bearing capacity of the Connector SB-1, 2: 1.0 t
- Minimum load-bearing capacity of the textile strap: 1.0 t

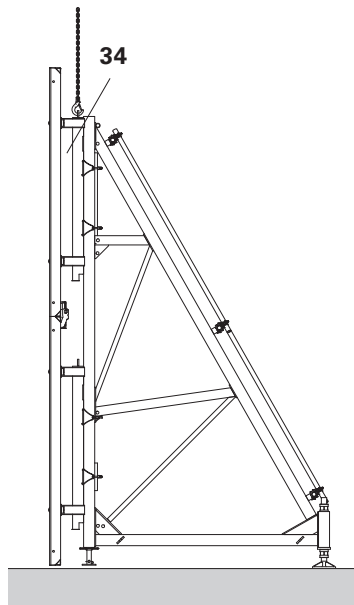


Fig. C2.01

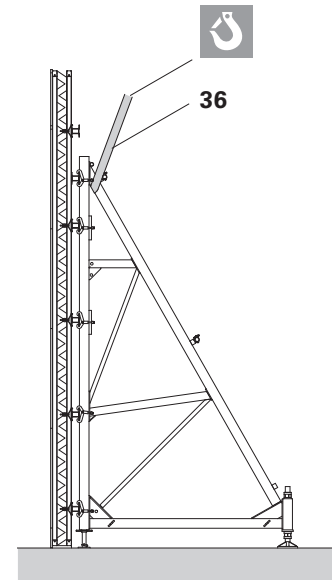


Fig. C2.02

Attaching

Transportable unit with Brace Frame SB-2 and Connector SB-1, 2:

Always fasten to the Connector SB-1, 2 (34). (Fig. C2.01)

Transportable unit with Brace Frame SB-2 and Hook Strap SB-2 asymmetrical / SB-1, 2:

Wrap textile strap (36) around the Brace Frame and attach to the crane. (Fig. C2.02)

Table

Brace Frame combination	Weight / Transportable Unit
SB-1	310 kg
SB-2	800 kg

Transportable unit with Brace Frame SB-1 and Connector SB-1, 2:

Always fasten to the Connector SB-1, 2 (34). (Fig. C2.03)

Transportable unit with Brace Frame SB-1 and Hook Strap SB-1, 2 / SB-2 asymmetrical:

Wrap textile strap (36) around the Brace Frame and attach to the crane. (Fig. C2.04)

Table

Determining the weight of the transportable units

Transportable unit consists of:
2 x Brace Frame including diagonal bracing without anchoring.
The weight of the formwork with 60 kg/m² and the connecting components must be added to the weight of the respective transportable unit.

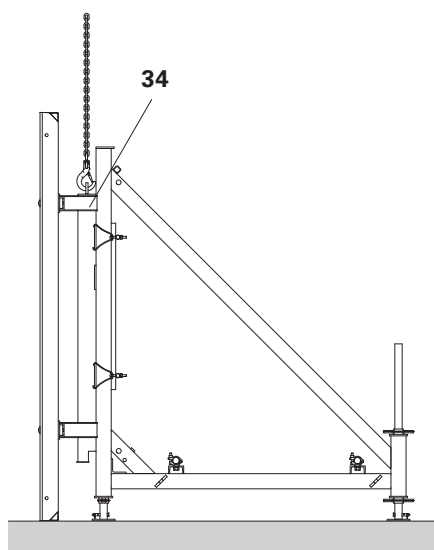


Fig. C2.03

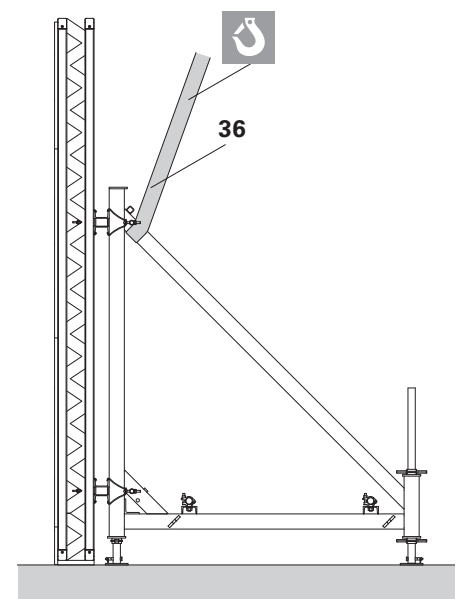


Fig. C2.04

D1 Pre-Assembly SB-L with Anchor Bracket

Panel formwork MAXIMO, TRIO, DOMINO

The Brace Frame SB-L is for forming single-sided walls up to 3.00 m concreting heights without a crane. It is assembled on-site using standard components and can be employed in two different ways.



Scaffold tubes for concreting and moving operations are not required.

Version 1

Required components per Brace Frame:

51	Steel Waler SRZ 245	1x
54	Anchor Bracket SB-L	1x
55	Heavy-Duty Spindle SLS 140/240	1x
56	Base Plate-2 RS 1000/1400/ Base Plate-3 RS 210-1400	1x
57	Tension Strut SB-L	1x
54.1	Bolt ISO 4014 M20 x 100	2x
54.2	Nut ISO 4032 Mu-20	2x
54.3	Compensation Washer 20	4x
55.1	Fitting Pin \varnothing 21 x 120 + Cotter Pin 4/1	1x 1x
59	Support	1x

MAXIMO, TRIO

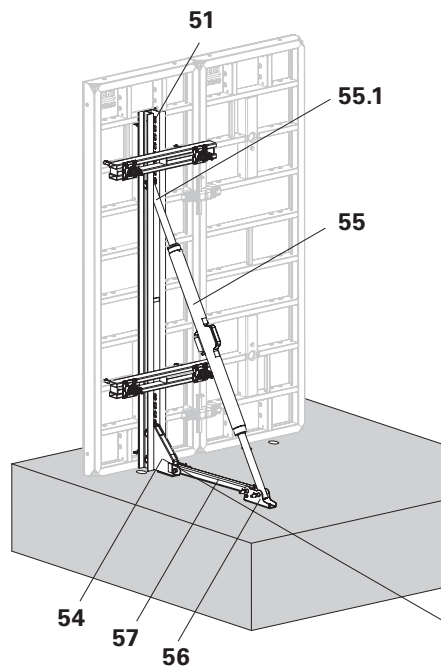


Fig. D1.01

Top view

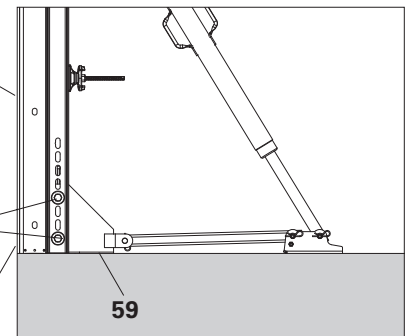
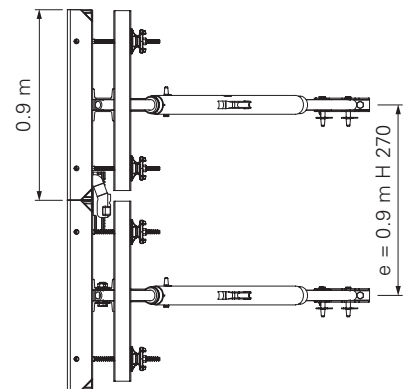


Fig. D1.03

Mounting the Brace Frame

1. Position the Steel Waler SRZ 245 (51) on the secure element.
2. Fasten Anchor Bracket SB-L (54) with two Bolts M20 x 100 (54.1, 54.2) and Compensation Washers (54.3) at the front and rear on the Steel Waler SRZ 245 in the slotted holes. (Fig. D1.03)
3. Fix the Tension Strut SB-L (57) to the Anchor Bracket SB-L and Base Plate by means of Bolts \varnothing 20 and Cotter Pins.
4. Fix the Heavy-Duty Spindle SLS (55) to the Steel Waler SRZ 245 using Fitting Pins (55.1) and Cotter Pins; mount on Base Plate (56) with Bolts and Cotter Pins. (Fig. D1.01 + D1.02)
5. Vertically spindle the SRZ. Do not secure the Base Plate to the ground.
6. Position the Support (59) in the area of the Anchor Bracket, and fix the Brace Frame on the element: see D2 Connecting to the Systems.

DOMINO

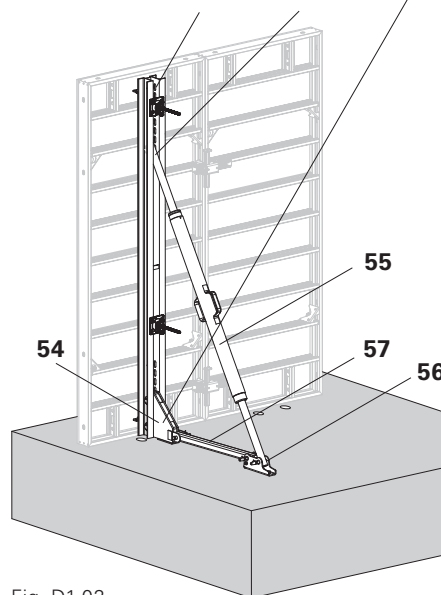
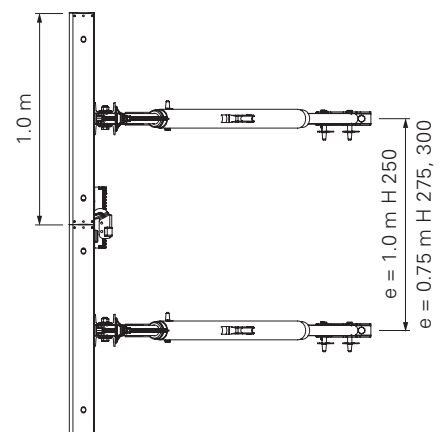


Fig. D1.02

Top view



D1 Pre-Assembly SB-L with Anchor Bracket

Version 2

Required components per Brace

Frame:

52	Steel Waler SRU 247	1x
53	Steel Waler SRU 122	1x
55	Heavy-Duty Spindle SLS 140/240	1x
58	Corner Connector SRU VARIOKIT	1x
55.1	Fitting Pin $\varnothing 21 \times 120$, Cotter Pin 4/1	5x 5x

Mounting the Brace Frame

1. Place Steel Waler SRU 122 (53) with the row of holes to the top.
2. Attach the Corner Connector SRU (58) to the Steel Waler SRU 122 using Fitting Pins and Cotter Pins (55.1) in the first and third holes. (Fig. D1.06)
3. Attach the Steel Waler SRU 247 (52) to the Corner Connector SRU using the bottom hole by means of Fitting Pins and Cotter Pins (55.1) - the slotted holes point towards the element. (Fig. D1.06)
4. Spindle out the Heavy-Duty Spindle SLS (55), and attach to the Steel Walers SRU 247 and SRU 122 using Fitting Pins and Cotter Pins (55.1). (Fig. D1.04 + D1.05)
5. Vertically spindle the SRU.
6. Attach the Brace Frame to the secure element: see D2 Connecting to the Systems.

MAXIMO, TRIO

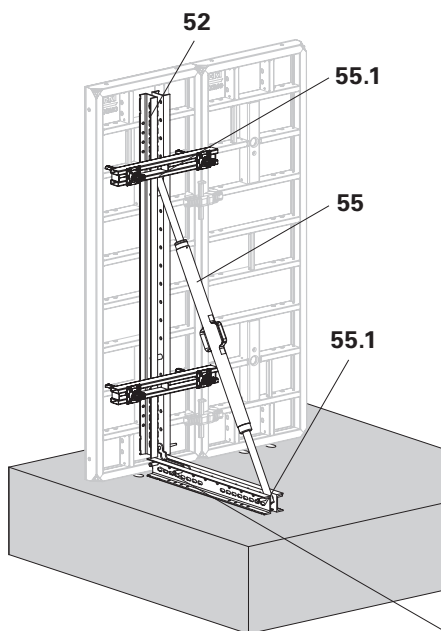


Fig. D1.04

Top view

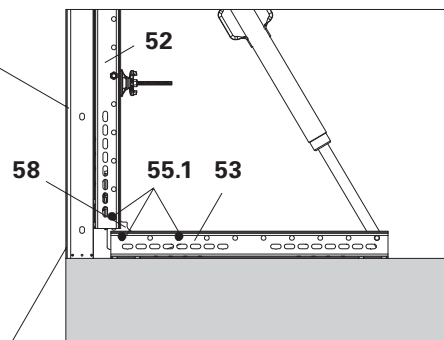
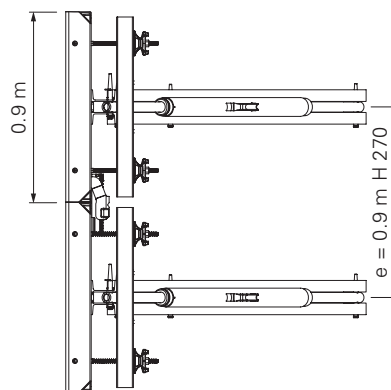


Fig. D1.06

DOMINO

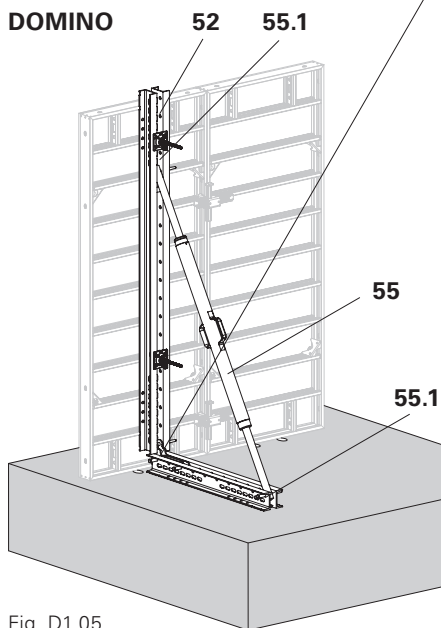
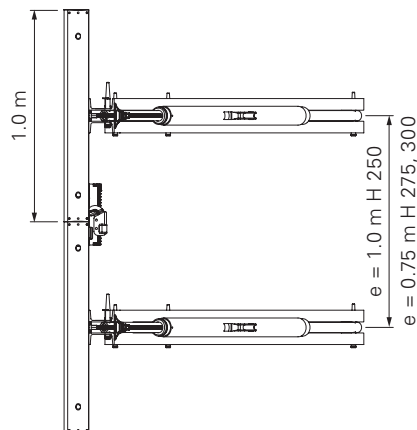


Fig. D1.05

Top view



- Take into account the permissible widths of influence: see PERI Design Information Brace Frame SB.
- Take into account Instructions for Assembly and Use of the respective system.

D2 Connecting to the Systems SB-L

Panel Formwork MAXIMO, TRIO

Required components per Brace Frame:

36.1 Waler 85	2x
39.1 Hook Tie DW 15/400	4x
39.2 Wingnut Pivot Plate	4x

Connecting with Anchor Bracket and Corner Connector

1. Lay Waler 85 (36.1) over the steel waler.
2. Push two Hook Ties (39.1) through the Waler 85 and attach to the element.
3. Secure by means of Wingnut Pivot Plates (39.2).
4. Second Waler 85 is fixed in the same way.

(Fig. D2.01 + D2.02)

SB-L Anchor Bracket

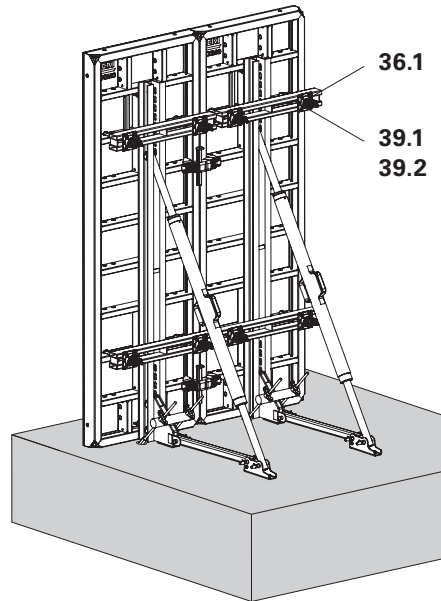


Fig. D2.01

Corner Connector SRU VARIOKIT

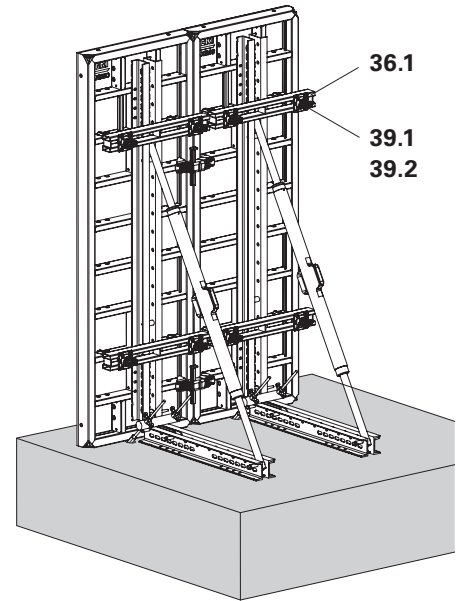


Fig. D2.02

DOMINO Panel Formwork

Required components per Brace Frame:

39.1 Hook Tie DW 15/400	2x
39.2 Wingnut Pivot Plate	2x

Connecting with Anchor Bracket and Corner Connector

1. Push Hook Tie (39.1) through the steel waler and attach to the element.
2. Secure with Wingnut Pivot Plate (39.2).
3. Second Hook Tie is fixed in the same way.

(Fig. D2.03 + D2.04)

SB-L Anchor Bracket

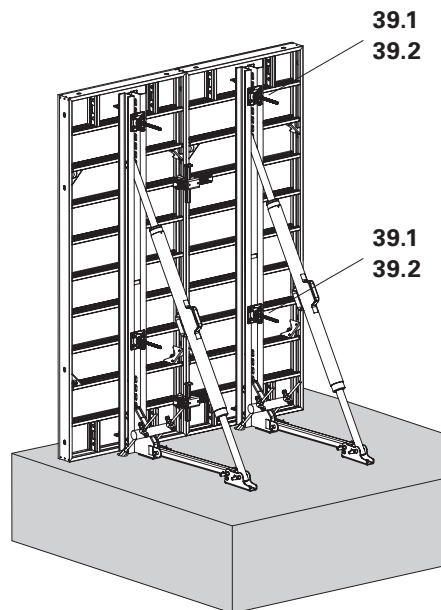


Fig. D2.03

Corner Connector SRU VARIOKIT

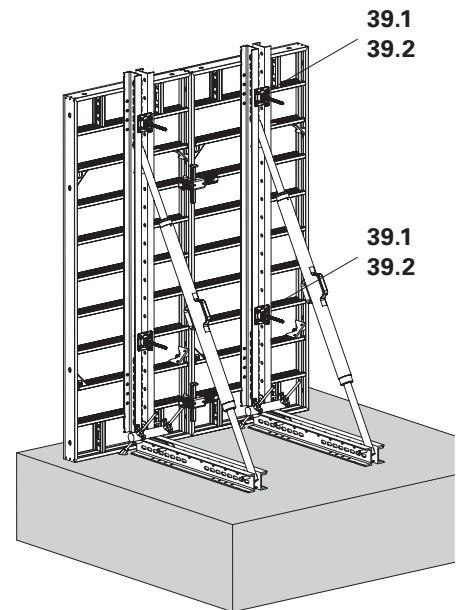


Fig. D2.04

Anchor System DW 15



Other anchor systems than those shown here require separate static proof!

Execution with Double Anchor Tie Yoke

Permissible tension force $2 \times 90 \text{ kN} = 180 \text{ kN}$

Load table: see PERI Design Information for SB Brace Frame

Versions 1 and 2

Re-usable anchor components:

2.1	Wingnut DW 15	2x
3	Double Tie Yoke	1x
4	Tie Rod DW 15	2x
5.1	Hex. Nut DW 15 SW 30/108	2x

Lost anchor components:

4	Tie Rod DW 15	2x
7	Threaded Anchor Plate DW 15	2x
6	Brace Frame Double Anchor DW 15	1x
10	V-Tie Holder DW 15	2x

(Fig. D3.01 - D3.04)

Version 1 – Tie Rod SB-L Anchor Bracket

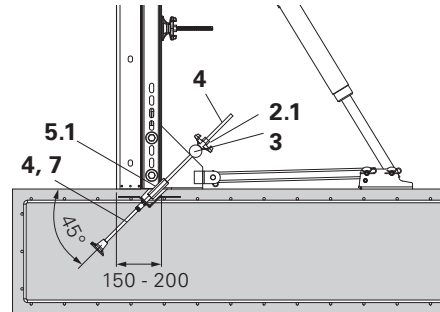


Fig. D3.01

Version 2 – Tie Rod Corner Connector SRU VARIOKIT

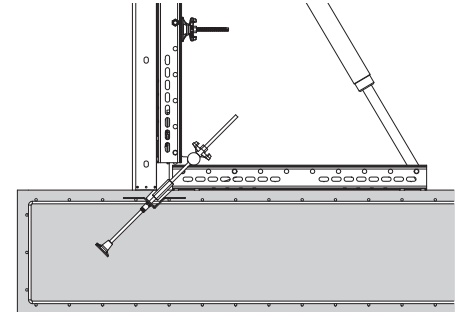


Fig. D3.02

Version 1 – Brace Frame Double Anchor SB-L Anchor Bracket

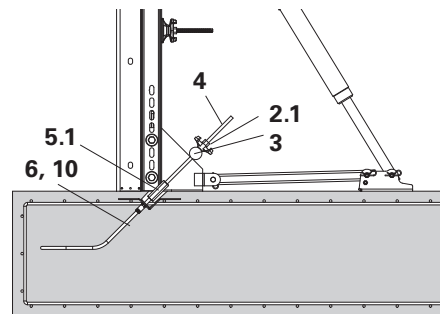


Fig. D3.03

Version 2 – Brace Frame Double Anchor Corner Connector SRU VARIOKIT

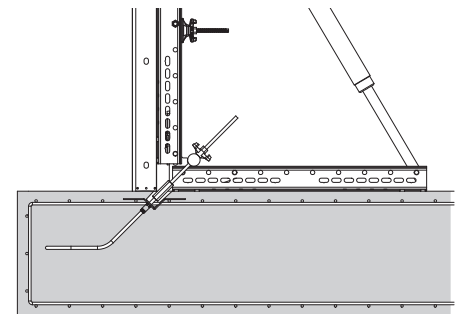


Fig. D3.04

With the crane



When moving, always separate the Brace Frame from the formwork unit, and move both separately.

Removal

1. Remove anchors. (Fig. D4.01a)
2. Temporary secure elements with push-pull props to prevent tipping over.
3. Remove Waler 85 (36.1), Hook Tie DW 15 (39.1) and Wingnut Pivot Plate (39.2) (Fig. D4.01) or
3. Remove Wingnut Pivot Plate (39.2) and Hook Tie DW 15 (39.1) (Fig. D4.02).
4. Move Brace Frame SB-L using a textile strap.
5. Move formwork unit with the lifting hook of the respective system - take into account Instructions for Use.

Example:

- MAXIMO and Corner Connector SRU VARIOKIT. (Fig. D4.01 + D4.01a)
- DOMINO and Anchor Bracket SB-L. (Fig. D4.02 + D4.02a)

MAXIMO, TRIO

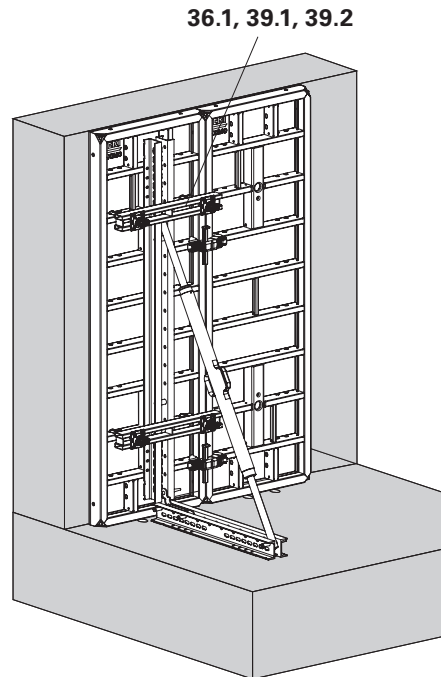


Fig. D4.01

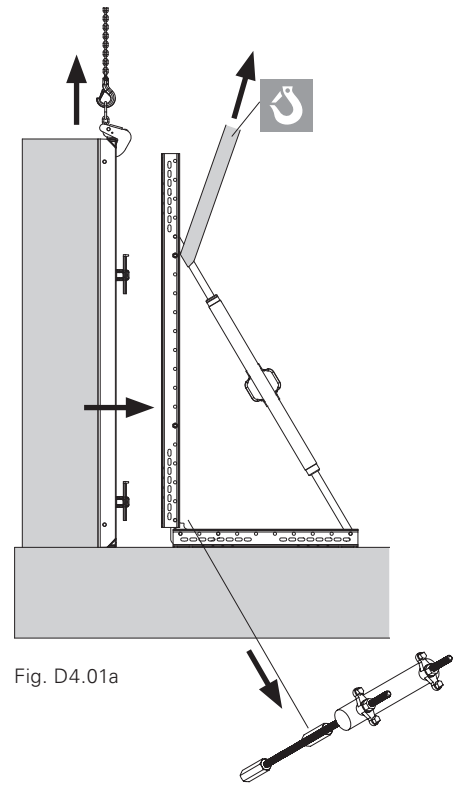


Fig. D4.01a

DOMINO

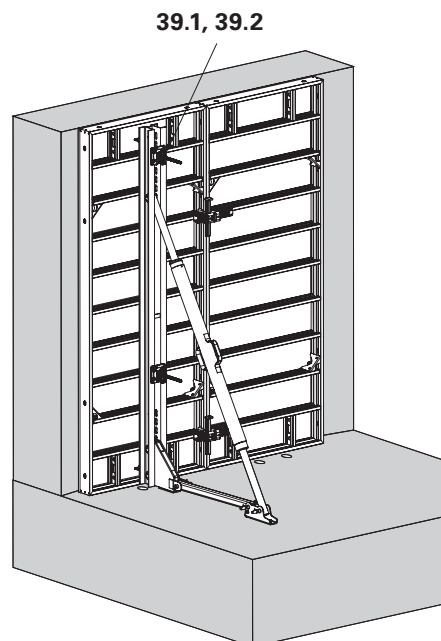


Fig. D4.02

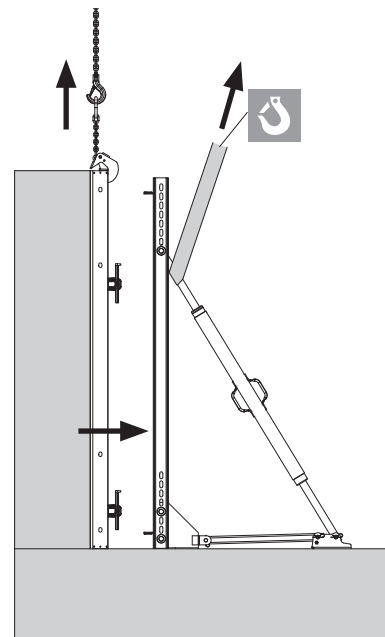


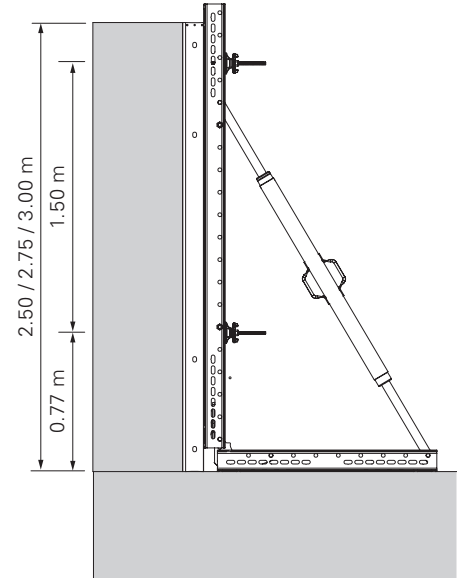
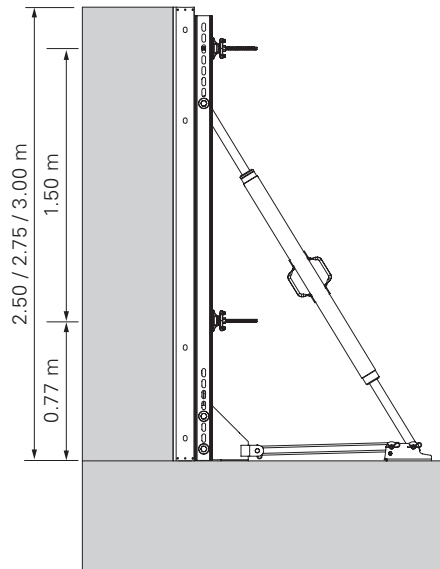
Fig. D4.02a

D5 Application Possibilities SB-L

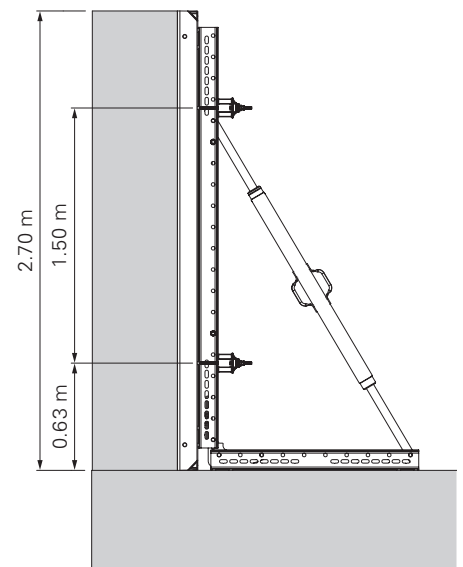
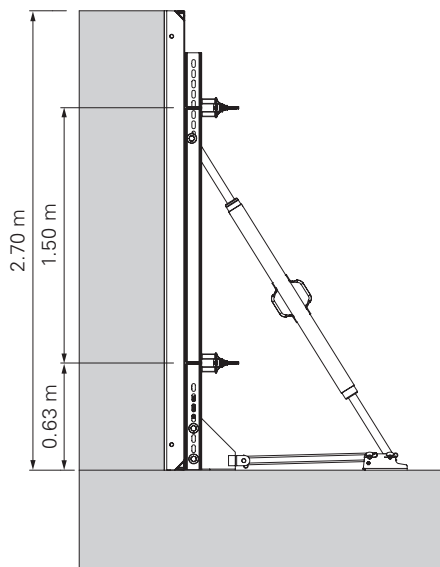
Version 1: Anchor Bracket SB-L

Version 2: Corner Connector SRU
VARIOKIT

DOMINO 250
DOMINO 275
DOMINO 300



MAXIMO 270
TRIO 270





- Always attach transportable units to the Brace Frame when transporting.
- Always use the available load-bearing points as well as textile straps!
- Take into account the permissible load-bearing capacities!
- Before moving each time, always check the mountings/wedges. If necessary, secure wedges with cotter pins or screws.

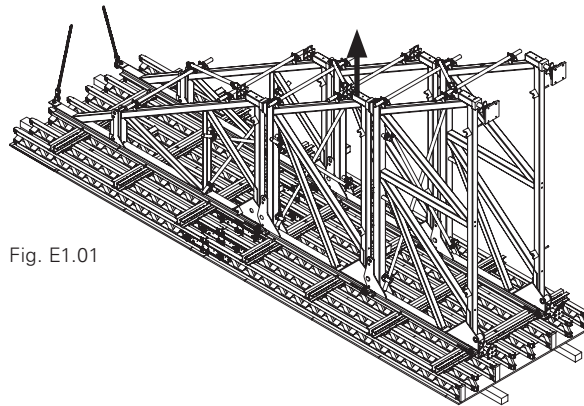


Fig. E1.01

Procedure

1. Attach transportable unit to the crane. (Fig. E1.01)
2. Erect, in the process make sure that the bottom formlining edge is not damaged.
3. Place the transportable unit on a sufficiently load-bearing surface, and align using the spindles (20.6, 20.7).
4. Ensure stability and release crane lifting gear.
5. Position additional transportable units.
6. Install element connections between the transportable units: see Instructions for Assembly and Use of the system, e.g. VARIO GT 24 Coupling VKZ 99.
7. Fix Brace Frames to the ground using re-usable anchor parts on the anchor components, see A2. (Fig. E1.02)



Are the element connections and anchor components securely installed?

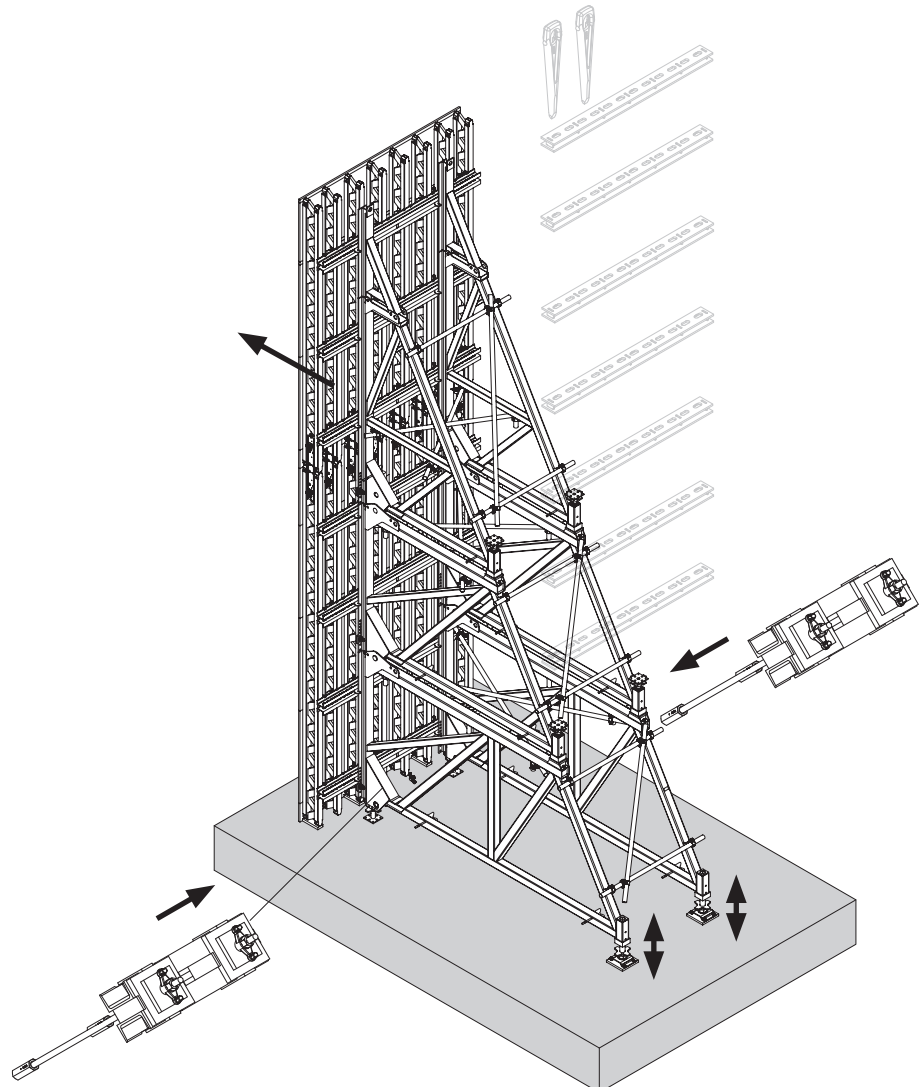


Fig. E1.02



- Always attach transportable units to the Brace Frame when transporting.
- Always use the available load-bearing points as well as textile straps!
- Take into account the permissible load-bearing capacities!
- Before moving each time, always check the mountings/wedges. If necessary, secure wedges with cotter pins or screws!
- Do not release the transportable unit from the concrete with the crane!

Procedure

1. Release element connections between the transportable units: see Instructions for Assembly and Use of the formwork system.
2. Remove re-usable anchor parts.
3. Relieve load on Brace Frame SB-A0, A, B: with rear spindle (20.7). (Fig. E2.01)
SB-2: with Adjustment Unit (20.7). (Fig. E2.02)
SB-1: with Quick Jack Nut (20.7). (Fig. E2.03)
4. Attach transportable unit (element with Brace Frame) to the crane and move.
5. Clean transportable unit and move to new place of operation.

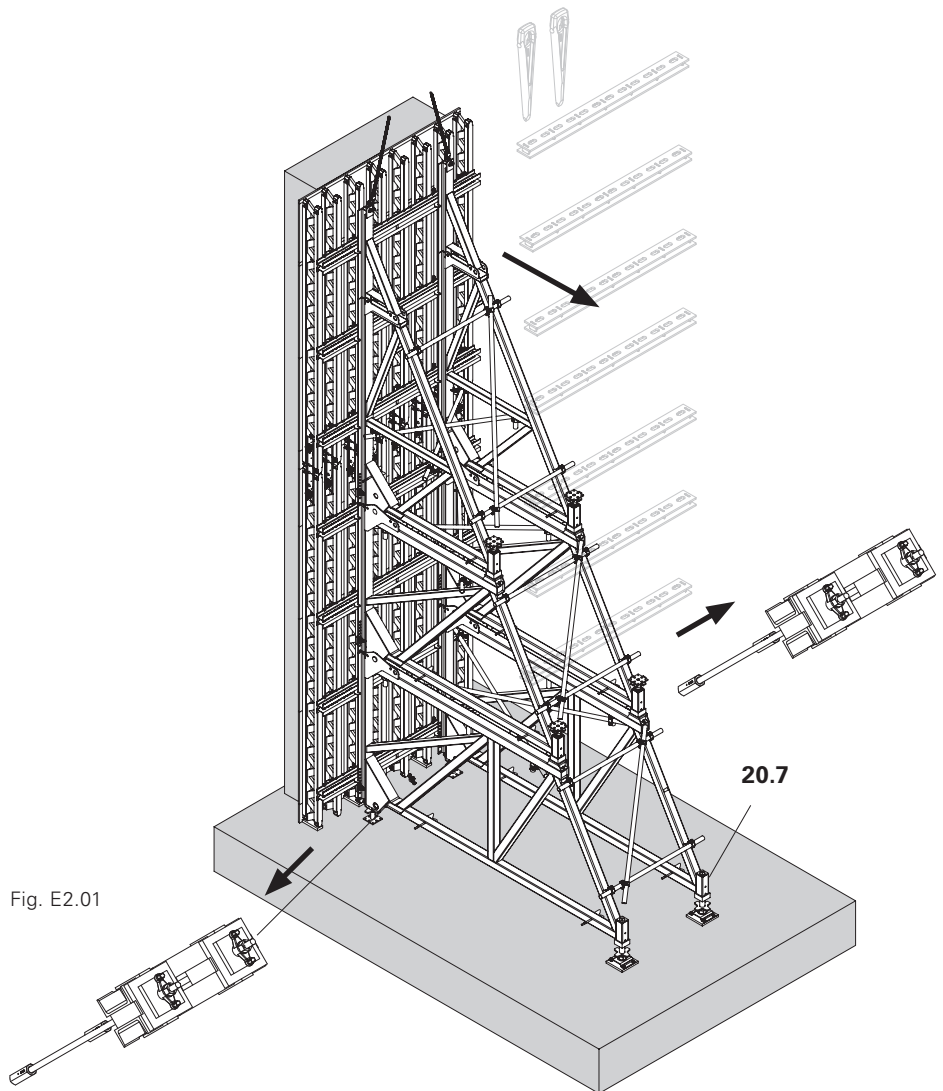


Fig. E2.01

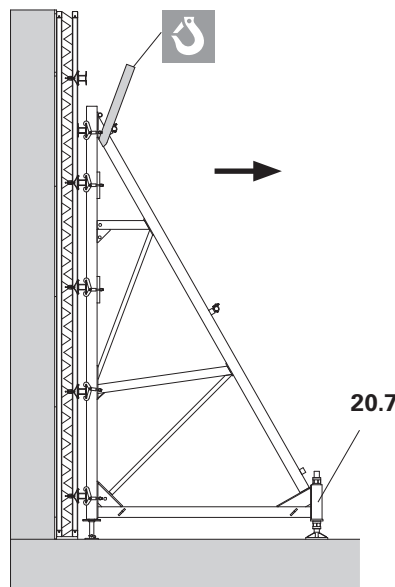


Fig. E2.02

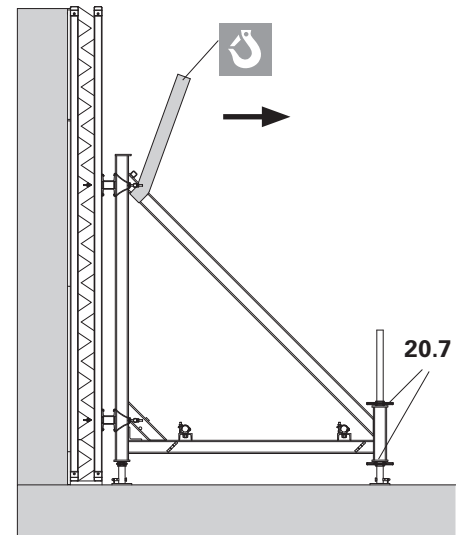


Fig. E2.03

SB-A0, A, B, C



- Always attach transportable units to the Brace Frame when transporting.
- Always use the available load-bearing points as well as textile straps!
- Take into account the permissible load-bearing capacities!
- Before setting down each time, always check the mountings/wedges. If necessary, secure wedges with cotter pins or screws!

Dismantling Girder and panel formwork

1. Position unit on timbers. (Fig. E3.01)
2. Dismantle working platform and access means.
3. Remove bracing.
4. Release and remove connections to the system (30, 31, 32 and 33).
5. Release Brace Frames one after the other from the formwork and lay down using the crane.
6. Remove connections (30, 31, 32 and 33) to the formwork unit and Brace Frame. (Fig. E3.02 + E3.03)

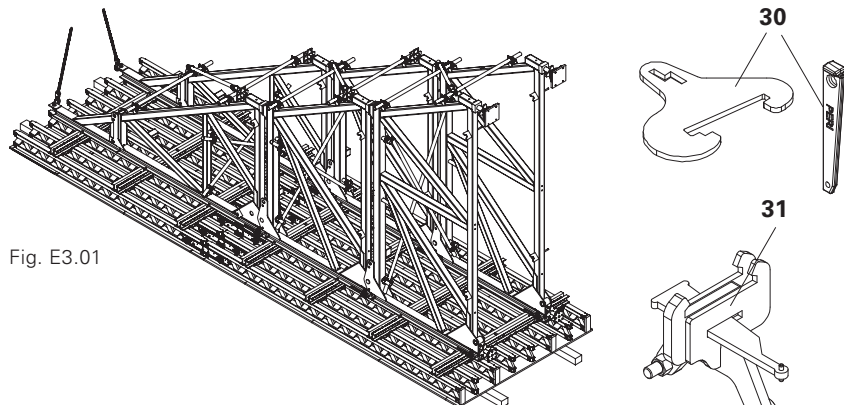


Fig. E3.01

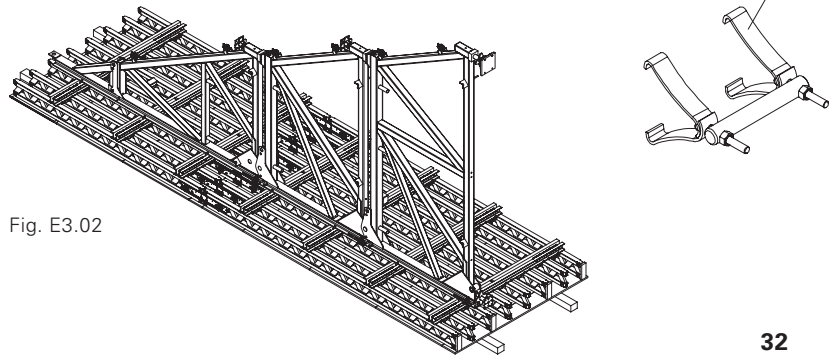


Fig. E3.02

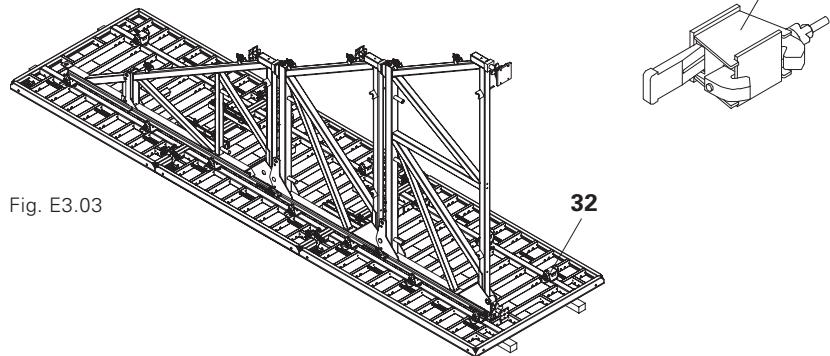


Fig. E3.03

Dismantling the Brace Frame

Begin with SB-C

1. Release the connecting bolts (20.5) between the Brace Frames and re-attach in the top Brace Frame.
2. Safely store the Spindles TR (20.6 + 20.7).
3. Stack Brace Frames of the same size and secure with steel strapping, see A1. (Fig. E3.04)

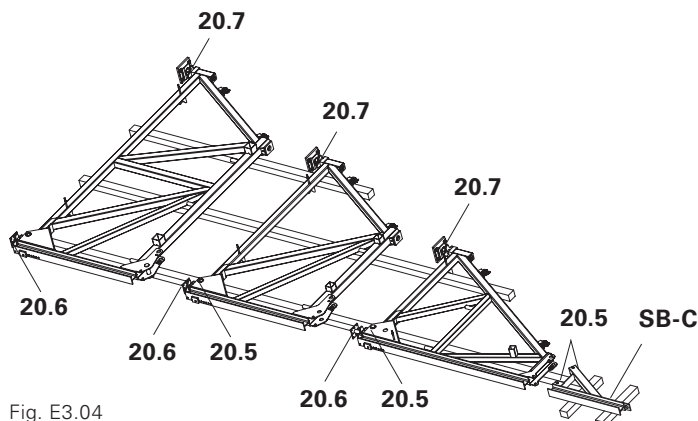


Fig. E3.04

SB-1, SB-2



- Always attach transportable units to the Brace Frame when transporting.
- Always use the available load-bearing points as well as textile straps!
- Take into account the permissible load-bearing capacities!
- Before setting down each time, always check the mountings/wedges. If necessary, secure wedges with cotter pins or screws!

Dismantling

Girder and panel formwork

1. Position unit on timbers.
2. Dismantle working platform and access means.
3. Remove bracing.
4. Loosen or remove connections to the system (35 + 34).
5. Release Brace Frames one after the other from the formwork and set down with the crane. (Fig. E3.05 + E3.06)
6. Remove Connector SB-1, 2 (34) on the formwork unit: release wedge and remove Bolts SB and Sleeve SB. (Fig. E3.07 + E3.08)

When transporting

1. Remove Adjustment Unit-2 (43) and pack separately for transportation.
2. Stack Brace Frames and secure with steel strapping, see A1. (Fig. E3.06)

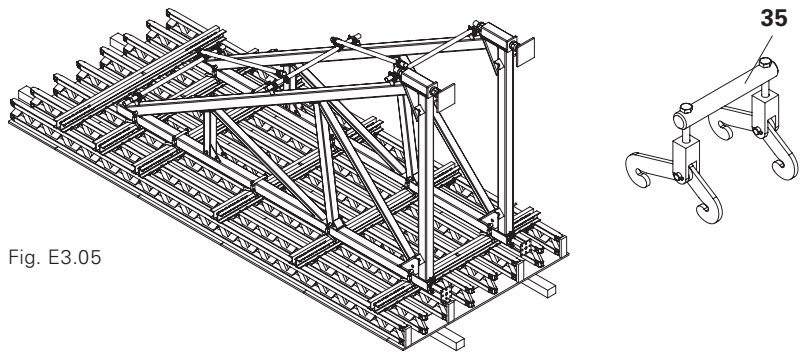


Fig. E3.05

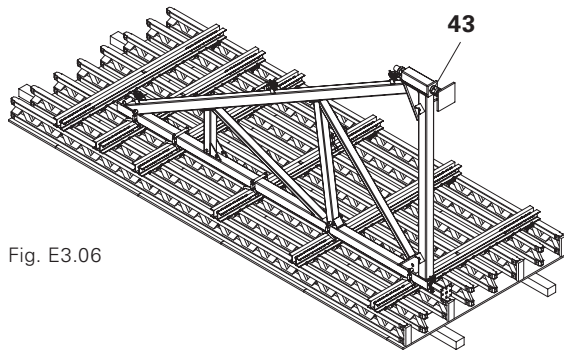


Fig. E3.06

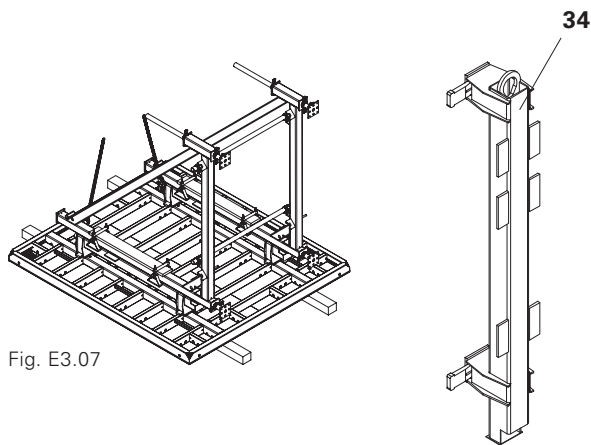


Fig. E3.07

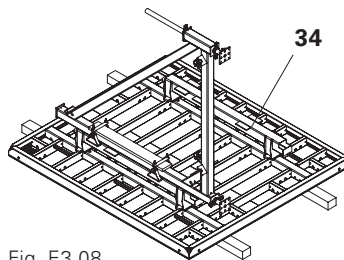


Fig. E3.08

Application



The application is project-related!
Important: during the planning phase of single-sided internal corners, contact PERI!

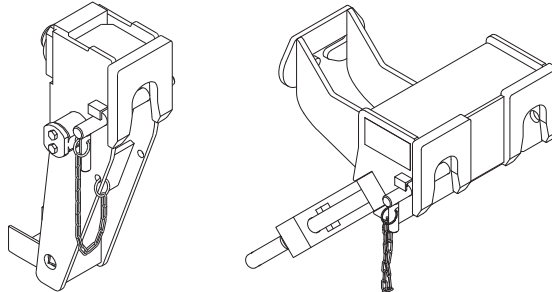
PERI Brace Frames SB can also be used as heavy-duty brackets. This application allows the formation of larger working platforms ($b \leq 8.75$ m) whilst simultaneously accommodating high shear forces. The use is always project-related.

There are two variants:

- Single suspension
- Double suspension



- **The horizontal application is always planned separately and verified through project-specific static calculations!**
- **The Brace Frame (horizontal) is always to be verified!**
- **The transfer of forces into the concrete and their accommodation by the component is to be proven separately!**
- **Required concrete strength, edge distances and wall thicknesses according to static requirements!**



The contractor (user) responsible for the installation of the anchoring is also responsible for the correct assembly and intended use. In addition, he shall arrange for the delivery and correct installation of any required additional reinforcement.

A record of the verification of the existing concrete strength as well as the inspection of individual components, proper assembly and the anchoring depth must be kept.

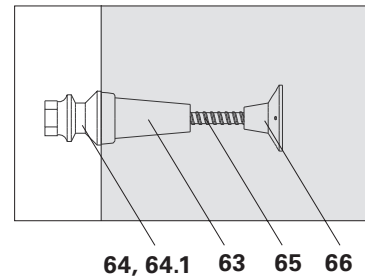
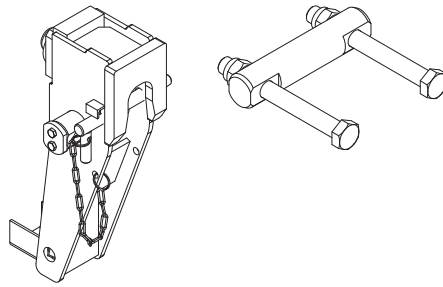
If different installation lengths of a cone type are used on a construction site, each anchor therefore has to be checked and recorded before concreting takes place. Proof must be provided that all load transfers in the building are distributed into the ground. With deviating conditions, a separate static proof in accordance with the approval is required.

Single suspension with Wall Scaffold Hinge SB

Brace Frame SB-A0, A, B

Working platform $b \leq 8.75$ m.

Load combinations of the Wall Scaffold Hinge: see PERI Design Information
Brace Frame SB



Required components per Brace Frame:

60	Wall Scaffold Hinge SB	1x
61	Brace Frame Adapter SB-A0, A, B	1x
Anchor Point		
63	Climbing Cone-2 M36/DW 26	1x
64	Scaffold Mounting Ring M36	1x
64.1	Hex. Nut M36 x 130 10.9	1x
65	Tie Rod DW 26	1x
66	Threaded Anchor Plate DW 26	1x

Assembly

1. Pre-assemble Brace Frame and remove front spindle, see B1.
2. Release both bolts (61.1) on the Brace Frame Adapter (61), SW 36.
3. Push Brace Frame Adapter through the holes of the Brace Frame.
4. Place Wall Scaffold Hinge SB (60) on the Brace Frame, insert bolts through the right and left holes as well as through the holes of the Brace Frame Adapter.
5. Firmly secure Wall Scaffold Hinge with bolts on the Brace Frame. (Fig. F2.01)

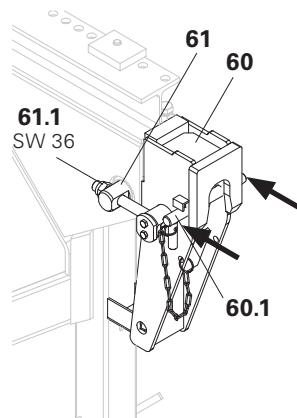


Fig. F2.01

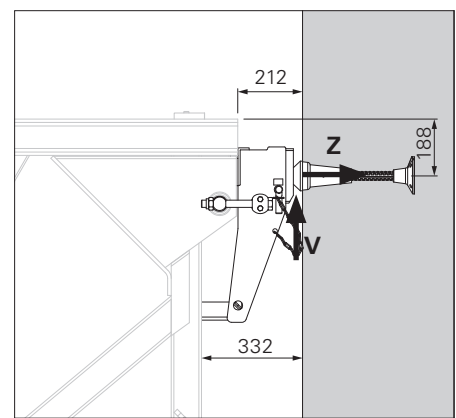


Fig. F2.02

Erect working platform

- Erect working platform according to the plan
- Brace the working platform with diagonals and secure open edges.
- Ensure stability.

Mount working platform

1. Lightly loosen the concreted Climbing Cones-2 (63) and then re-tighten, SW 55.
2. Screw in Scaffold Mounting Ring M36 (64) with Hex. Bolts M36, SW 55 (64.1) into the Climbing Cones-2.
3. Remove bolts (60.1) from the Wall Scaffold Hinges.
4. Attach working platform to the crane (textile strap) and move.
5. Install working platform with the Wall Scaffold Hinges in the Scaffold Mounting Rings, and secure with bolts. (Fig. F2.02 + F2.03)



Have all Wall Scaffold Hinges been correctly mounted and secured?

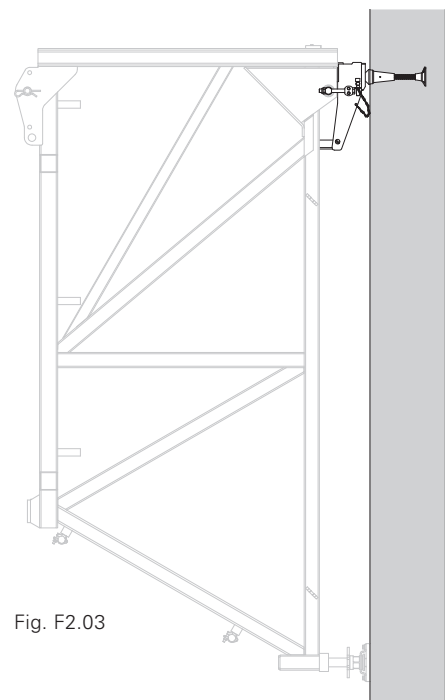


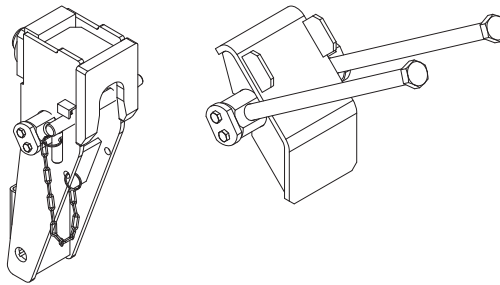
Fig. F2.03

Single suspension with Wall Scaffold Hinge SB

Brace Frame SB-2

Working platform $b \leq 4.80$ m

Load combinations of the Wall Scaffold Hinge: see PERI Design Information
Brace Frame SB



Required components per Brace Frame:

60	Wall Scaffold Hinge SB	1x
62	Brace Frame Adapter SB-2	1x
Anchor Point		
63	Climbing Cone-2 M36/DW 26	1x
64	Scaffold Mounting Ring M36	1x
64.1	Hex. Bolt M36 x 130 10.9	1x
65	Tie Rod DW 26	1x
66	Threaded Anchor Plate DW 26	1x

Assembly

1. Pre-assemble Brace Frames and remove front spindle, see B1.
2. Release both bolts (62.1) on the Brace Frame Adapter (62), SW 36.
3. Place Brace Frame Adapter on the Brace Frame.
4. Place Wall Scaffold Hinge SB (60) on the Brace Frame, insert bolts through the right and left holes as well as through the holes of the Brace Frame Adapter.
5. Firmly secure Wall Scaffold Hinge with bolts on the Brace Frame. (Fig. F2.04)

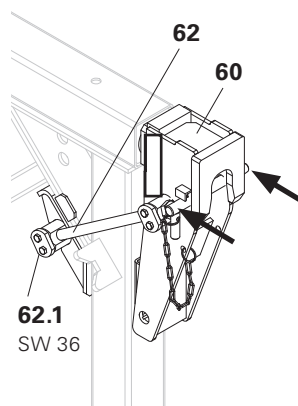


Fig. F2.04

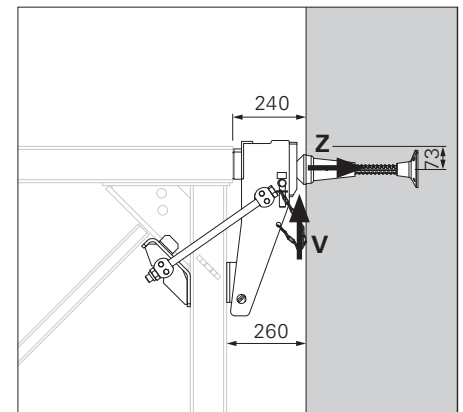


Fig. F2.05

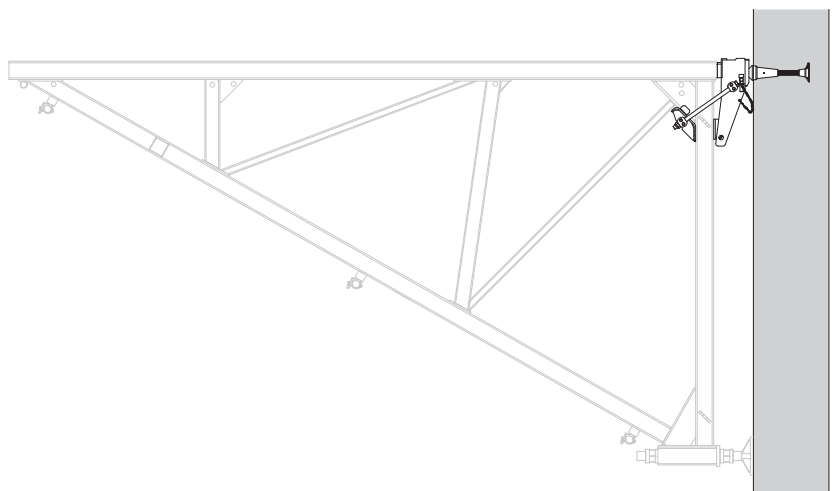
Erect working platform

- Erect working platform according to the plan.
- Brace the working platform with diagonals and secure open edges.
- Ensure stability.

Mount working platform

(Fig. F2.05)

See Single Suspension Brace Frame SB-A0, A, B

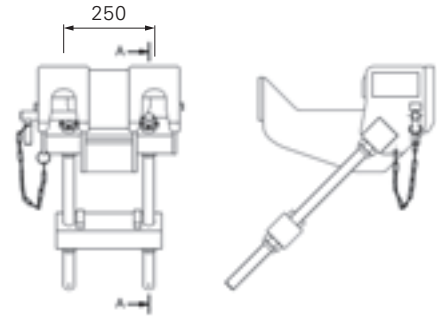
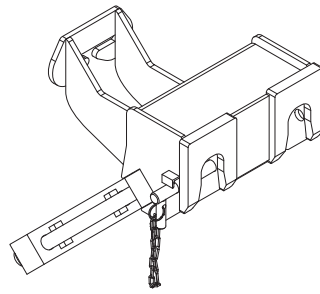


Double Suspension with Wall Scaffold Hinge SB double

Brace Frame SB-A0, A, B

Working platform $b \leq 8.75$ m.

Load combinations of the Wall Scaffold Hinge: see PERI Design Information
Brace Frame SB



Required components per Brace Frame:

60.1	Wall Scaffold Hinge SB double	1x
Anchor Point		
63	Climbing Cone-2 M36/DW 26	2x
64	Scaffold Mounting Ring M36	2x
64.1	Hex. Nut M36 x 130 10.9	2x
65	Tie Rod DW 26	2x
66	Threaded Anchor Plate DW 26	2x

Assembly

1. Pre-assemble Brace Frame and remove front spindle, see B1.
2. Release nuts on the threaded rods (60.2), SW 46, and remove Holder (60.3).
3. Push on Wall Scaffold Hinge double (60.1) as far as possible onto the HEB Beam.
4. Push Holder onto the threaded rod and secure with nuts to the Brace Frame. (Fig. F2.06)

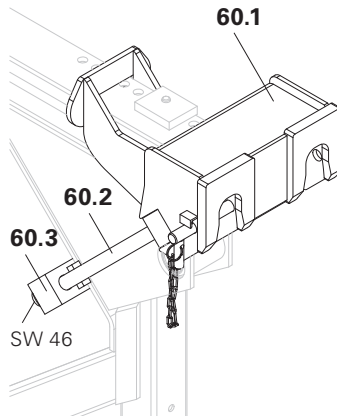


Fig. F2.06

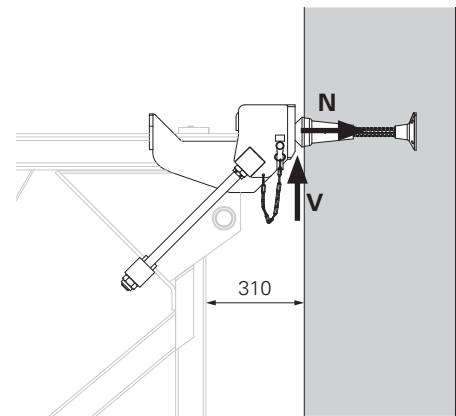


Fig. F2.07

Erect working platform

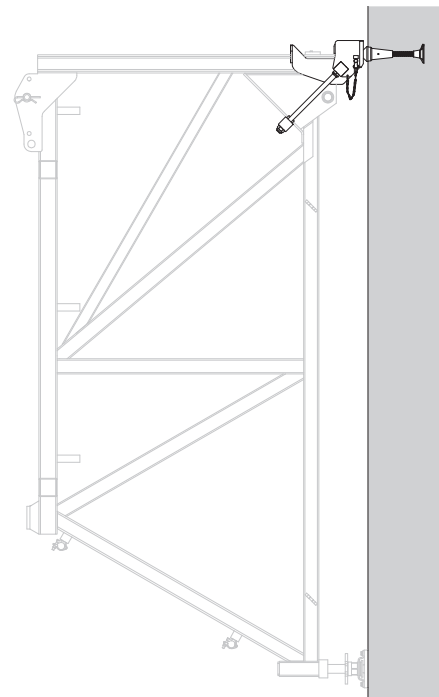
- Erect working platform according to the plan
- Brace the working platform with diagonals and secure open edges.
- Ensure stability.

Mount working platform

(Fig. F2.07)

See Single Suspension

Brace Frame SB-A0, A, B



SB Brace Frame



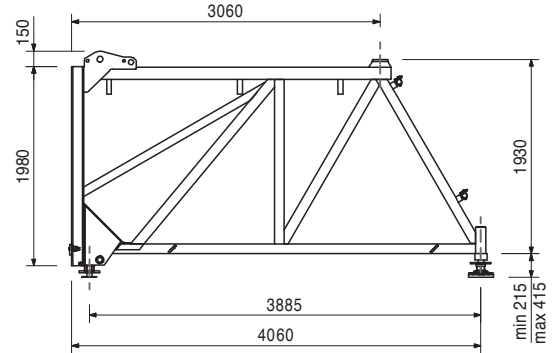
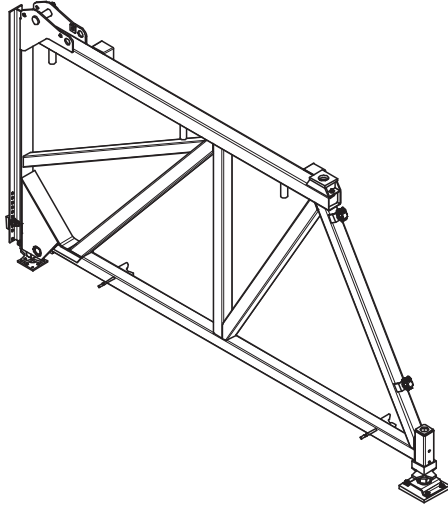
Item no.	Weight kg
025690	412,000

Brace Frame SB-A0

For forming single-sided walls and special applications.

Complete with

- 1 pc. 700555 Rear Base Spindle for SB
- 1 pc. 700554 Adjusting Nut SB-A0/A/B
- 1 pc. 025730 Spindle TR 60 x 9/43
- 1 pc. 710545 Bolt Ø 50 x 150, galv.
- 1 pc. 710618 Cotter Pin 8, galv.
- 2 pc. 017040 Screw-On Coupler AK 48, galv.
- 1 pc. 700553 Adapter
- 1 pc. 030130 Cam Nut DW 15, galv.



Accessories

027210	3,300
--------	-------

Spanner SW 80, for SB

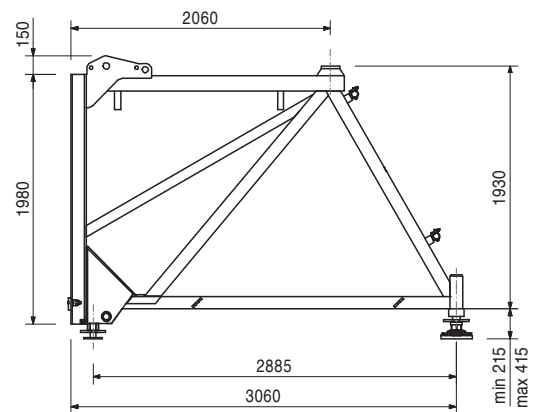
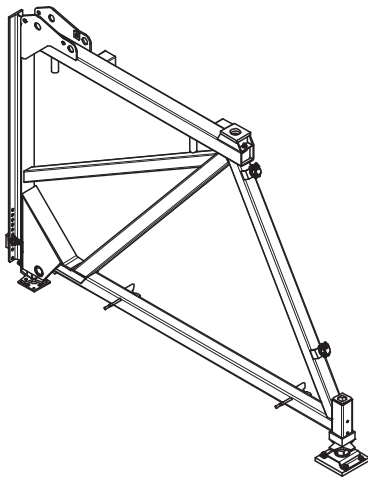
025700	324,000
--------	---------

Brace Frame SB-A

For forming single-sided walls and special applications.

Complete with

- 1 pc. 700555 Rear Base Spindle for SB
- 1 pc. 700554 Adjusting Nut SB-A0/A/B
- 1 pc. 025730 Spindle TR 60 x 9/43
- 2 pc. 017040 Screw-On Coupler AK 48, galv.
- 1 pc. 700553 Adapter
- 1 pc. 030130 Cam Nut DW 15, galv.



Accessories

027210	3,300
--------	-------

Spanner SW 80, for SB

SB Brace Frame

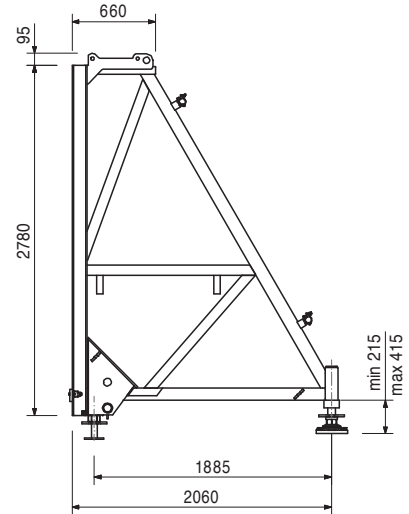
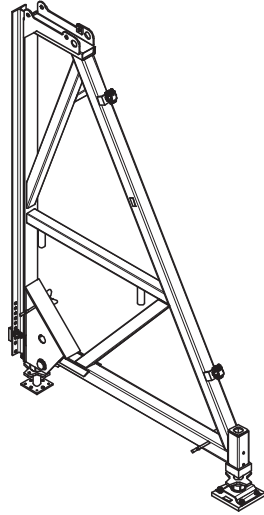
Item no.	Weight kg
025710	275,000

Brace Frame SB-B

For forming single-sided walls and special applications.

Complete with

- 1 pc. 700555 Rear Base Spindle for SB
- 1 pc. 700554 Adjusting Nut SB-A0/A/B
- 1 pc. 025730 Spindle TR 60 x 9/43
- 1 pc. 710545 Bolt Ø 50 x 150, galv.
- 1 pc. 710618 Cotter Pin 8, galv.
- 2 pc. 017040 Screw-On Coupler AK 48, galv.
- 1 pc. 700553 Adapter
- 1 pc. 030130 Cam Nut DW 15, galv.



Accessories

027210	3,300
--------	-------

Spanner SW 80, for SB

025720	49,900
--------	--------

Brace Frame SB-C

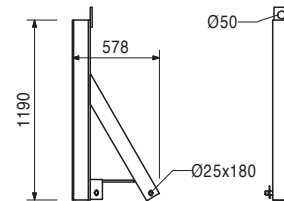
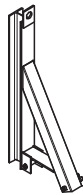
For forming single-sided walls and special applications.

Complete with

- 2 pc. 715936 Pin Ø 25 x 180, incl. dowel pin Ø 6
- 2 pc. 018060 Cotter Pin 4/1, galv.

Technical Data

Permissible load-bearing point capacity
 1.5 t with crane sling angle $\leq 15^\circ$,
 2.5 t with vertical lift.

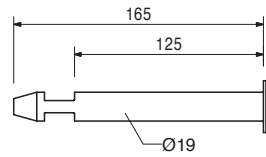
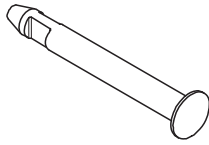


SB Brace Frame



Item no.	Weight kg
027690	0,368

Bolt SB-TRIO/DOMINO, galv.
For panel formwork with 12 cm overall thickness.



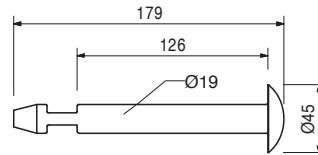
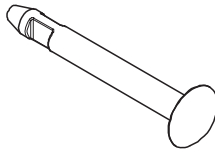
Accessories

114107	1,190
114417	1,400

Sleeve SB-MAXIMO, galv.
Sleeve SB-MAXIMO WDMX

113255	0,414
--------	-------

Bolt SB-MAXIMO, galv.
For connecting MAXIMO panels with Brace Frame SB.



Accessories

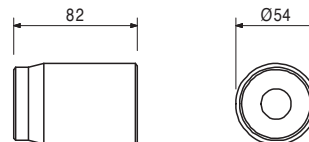
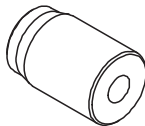
114107	1,190
114417	1,400

Sleeve SB-MAXIMO, galv.
Sleeve SB-MAXIMO WDMX

114107	1,190
--------	-------

Sleeve SB-MAXIMO, galv.
For connecting MAXIMO panels with Brace Frame SB.

Note
For use with Sealing Sleeve MX Ø 16 item-no. 112342 and Nut Sealing Sleeve MX Ø 16 item-no. 112338.



Accessories

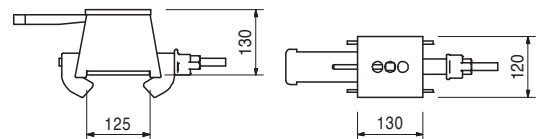
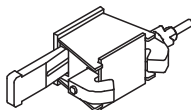
113255	0,414
114417	1,400

Bolt SB-MAXIMO, galv.
Sleeve SB-MAXIMO WDMX

025740	9,140
--------	-------

Connector SB-A, B, C - MX/TR/D
For connecting MAXIMO, TRIO and DOMINO panels with Brace Frames SB-A0, A, B, C.

Note
1 piece per anchor point.



Accessories

027690	0,368
113255	0,414
114107	1,190
114417	1,400

Bolt SB-TRIO/DOMINO, galv.
Bolt SB-MAXIMO, galv.
Sleeve SB-MAXIMO, galv.
Sleeve SB-MAXIMO WDMX

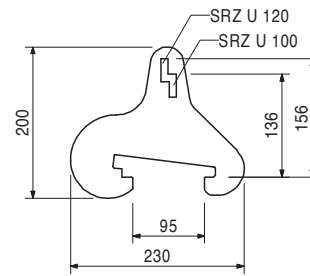
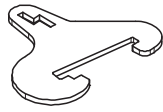
SB Brace Frame



Item no.	Weight kg
025760	1,300

Waler Connector SB-A, B, C

For connecting Steel Walers SRZ and SRU, Profile U100 respectively U120 to SB-A0, A, B, C.



Accessories

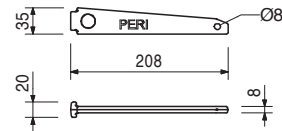
024250	0,331
--------	-------

Wedge K, galv.

024250	0,331
--------	-------

Wedge K, galv.

For coupling Compression Plate KDP, Wedge Head Piece SRZ/SRU and Waler Connector SB-A, B, C.



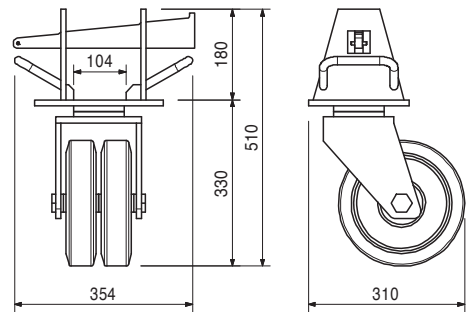
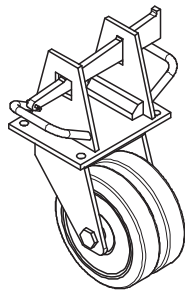
025750	28,700
--------	--------

Guide Roller SB-A, B

For moving SB-A0, SB-A and SB-B brace frame units.

Technical Data

Permissible load-bearing capacity 1.2 t.



SB Brace Frame



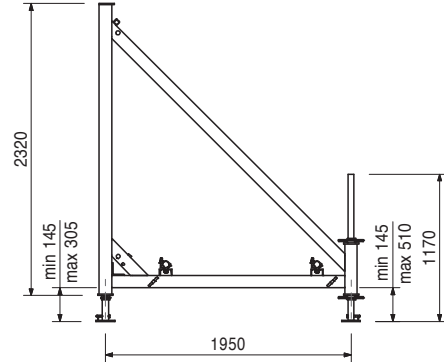
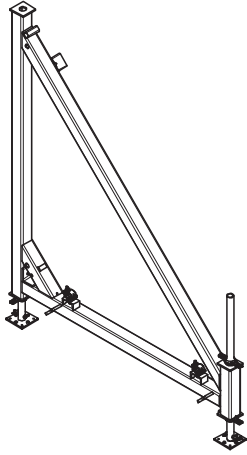
Item no.	Weight kg
027500	136,000

Brace Frame SB-1

For forming single-sided walls and special applications.

Complete with

- 1 pc. 715110 Spindle SB-1, compl.
- 1 pc. 018030 Spindle Tube TR 48-116/80, galv.
- 2 pc. 018270 Quick Jack Nut TR 48, galv.
- 1 pc. 018070 Base Plate for Spindle Tube TR 48
- 1 pc. 018050 Pin \varnothing 16 x 65/86, galv.
- 1 pc. 018060 Cotter Pin 4/1, galv.
- 1 pc. 770012 Split Pin ISO 8752 8 x 60, galv.
- 2 pc. 017040 Screw-On Coupler AK 48, galv.



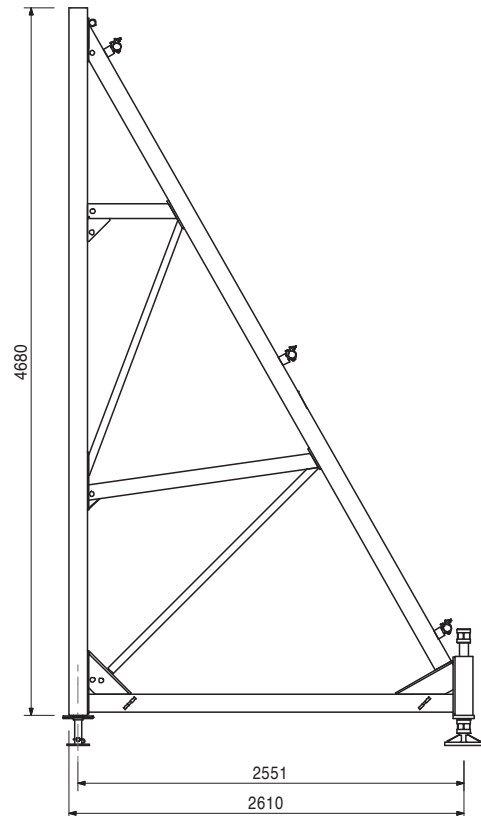
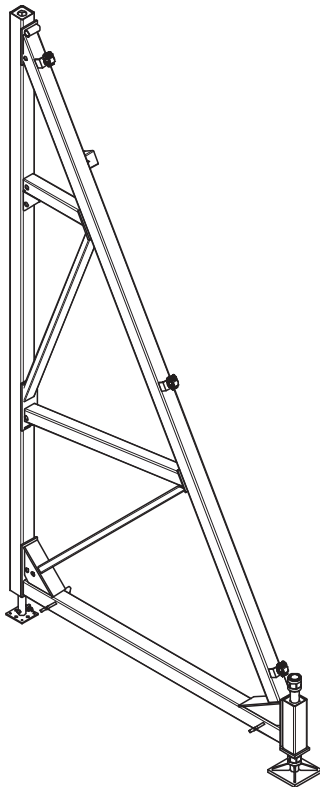
027510	364,000
--------	---------

Brace Frame SB-2

For forming single-sided walls and special applications.

Complete with

- 1 pc. 715121 Adjusting Unit SB-2
- 1 pc. 715110 Spindle SB-1, compl.
- 1 pc. 770012 Split Pin ISO 8752 8 x 60, galv.
- 3 pc. 017040 Screw-On Coupler AK 48, galv.



027210	3,300
--------	-------

Accessories

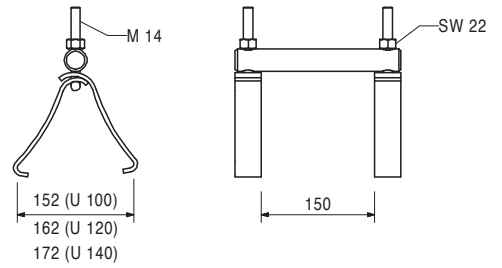
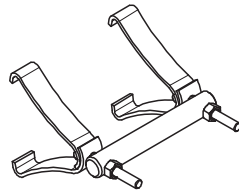
Spanner SW 80, for SB

SB Brace Frame

Item no.	Weight kg
027590	2,400

Hook Strap for SB-1, 2

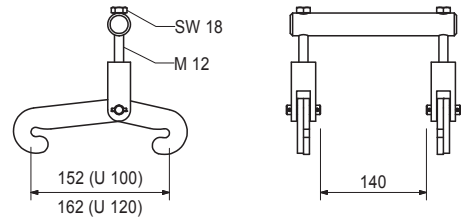
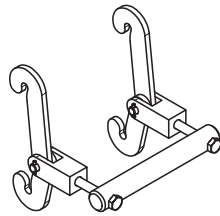
For fixing Brace Frame SB-1 and SB-2 to Steel Waler SRZ and SRU Profile U100 – U140.



116078	3,970
--------	-------

Hook Strap for SB-2, asymmetric

For fixing Brace Frame SB-2 to Steel Waler SRZ and SRU Profile U100 – U140.



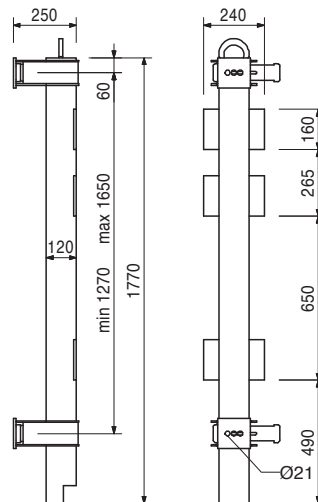
027680	49,600
--------	--------

Connector SB-1, 2 - MX/TR/D

For assembly of Brace Frame SB-1, 2 to MAXIMO, TRIO and DOMINO panels.

Technical Data

Permissible load-bearing point capacity 1.0 t with crane sling angle $\leq 15^\circ$.



Accessories

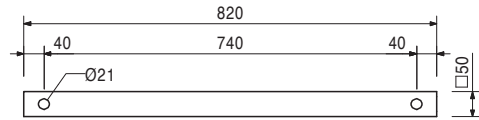
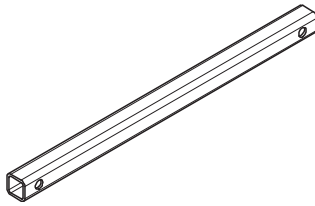
027690	0,368	Bolt SB-TRIO/DOMINO, galv.
027590	2,400	Hook Strap for SB-1, 2
113255	0,414	Bolt SB-MAXIMO, galv.
114107	1,190	Sleeve SB-MAXIMO, galv.
114417	1,400	Sleeve SB-MAXIMO WDMX

SB Brace Frame



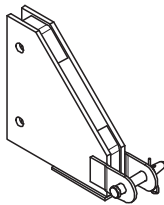
Item no.	Weight kg
100901	5,370

SB-L Tension Strut, l = 740 mm
For Brace Frame SB-L. For forming single-sided walls.



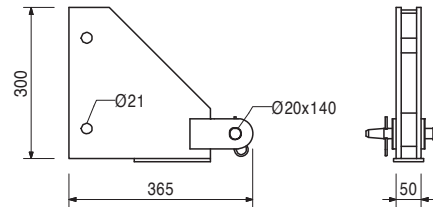
100903	12,000
--------	--------

SB-L Anchor Bracket
For Brace Frame SB-L. For forming single-sided walls.



Complete with

- 1 pc. 105400 Pin Ø 20 x 140, galv.
- 1 pc. 018060 Cotter Pin 4/1, galv.



024910	0,303
710334	0,064
024180	0,126

Accessories

- Bolt ISO 4014 M20 x 100-8.8, galv.**
- Nut ISO 4032 M20-8, galv.**
- Compensation Washer 20, galv.**

010050	51,600
--------	--------

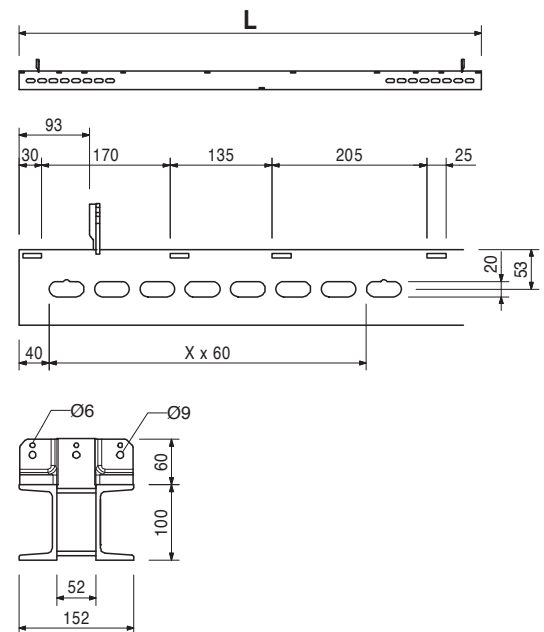
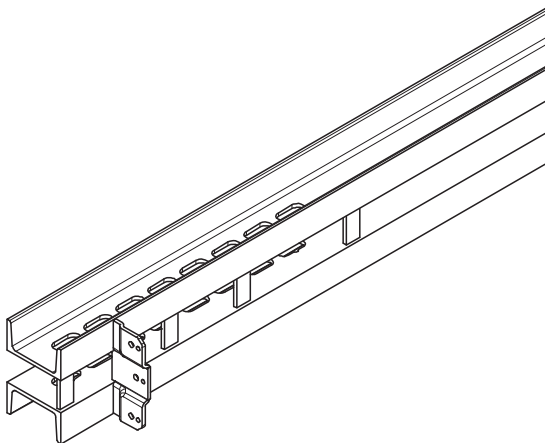
Steel Waler SRZ U100, l = 2.45 m
Steel waler for VARIO GT 24 panels and special applications.

Note

Special lengths and other profile sizes on request.

Technical Data

U100: $W_y = 82.4 \text{ cm}^3$, $I_y = 412 \text{ cm}^4$



SB Brace Frame

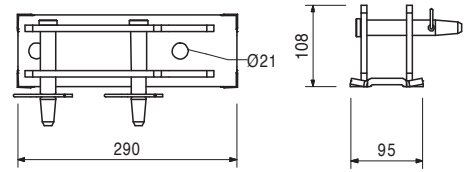
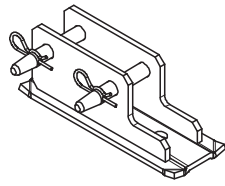
Item no.	Weight kg
102018	4,880

Base Plate-2 for RS 1000/1400, galv.

For assembly of RS 210, 260, 300, 450, 650, 1000, 1400 push-pull props and Heavy Duty Spindles.

Complete with

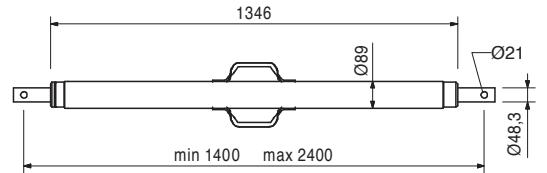
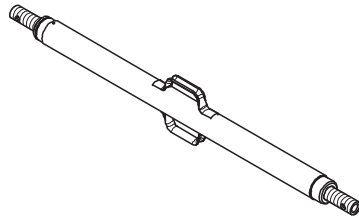
2 pc. 105400 Pin \varnothing 20 x 140, galv.
2 pc. 018060 Cotter Pin 4/1, galv.



101776	24,200
--------	--------

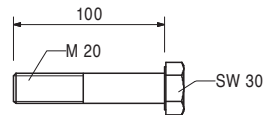
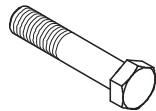
Heavy Duty Spindle SLS 140/240

As adjustable spindle in lattice frameworks with SRU Steel Walers and RCS Climbing Rails.



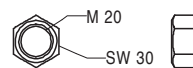
024910	0,303
--------	-------

Bolt ISO 4014 M20 x 100-8.8, galv.



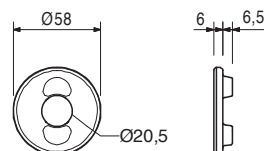
710334	0,064
--------	-------

Nut ISO 4032 M20-8, galv.



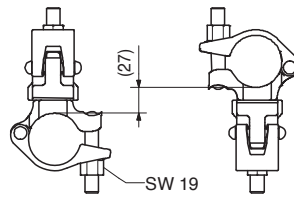
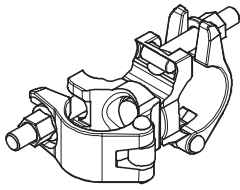
024180	0,126
--------	-------

Compensation Washer 20, galv.

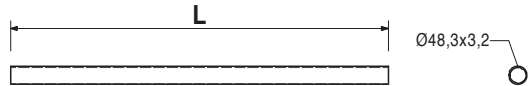
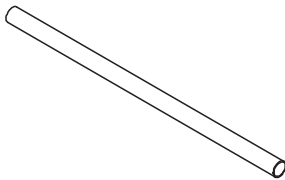


Item no.	Weight kg
017010	1,400

Swivel Coupling DK 48/48, galv.
For Scaffold Tubes Ø 48 mm.

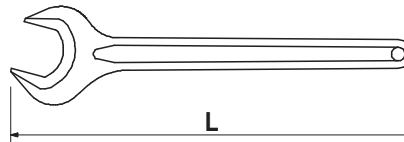
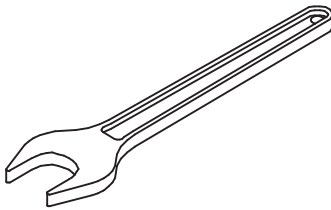


		Scaffold Tubes Steel Ø 48.3 x 3.2	L
026415	3,550	Scaff. Tube Steel Ø 48.3 x 3.2, special length	
026417	0,000	Cutting Cost Scaffold Tube	
026411	3,550	Scaff. Tube Steel Ø 48.3 x 3.2, l = 1.0 m	1000
026412	7,100	Scaff. Tube Steel Ø 48.3 x 3.2, l = 2.0 m	2000
026413	10,650	Scaff. Tube Steel Ø 48.3 x 3.2, l = 3.0 m	3000
026414	14,200	Scaff. Tube Steel Ø 48.3 x 3.2, l = 4.0 m	4000
026419	17,750	Scaff. Tube Steel Ø 48.3 x 3.2, l = 5.0 m	5000
026418	21,600	Scaff. Tube Steel Ø 48.3 x 3.2, l = 6.0 m	6000

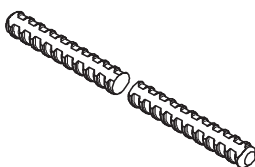


		Spanners SW for SB	L
027210	3,300	Spanner SW 80, for SB	645
027213	2,300	Spanner SW 70, for SB	570
027211	0,760	Spanner SW 46, for SB	380

For different applications.



		Tie Rods DW 15	Note
030030	1,440	Tie Rod DW 15, spec. length	Non-weldable! Take official approval into consideration! Technical Data Permissible tension force 90 kN.
030050	0,000	Cutting Cost Tie Rod DW 15, B 15	
030005	0,720	Tie Rod DW 15, l = 0.50 m	
030480	1,440	Tie Rod DW 15, l = 1.00 m	



SB Brace Frame

Item no. Weight kg

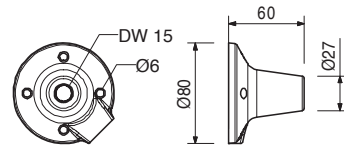
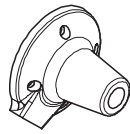
030840 0,516

Threaded Anchor Plate DW 15

For use with Tie Rod DW 15 or B 15. For anchoring in concrete.

Note

Lost anchor part.



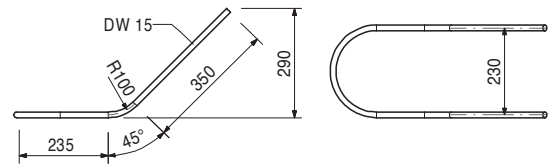
030060 2,130

Brace Frame Double Anchor DW 15

Non-weldable! Take approval into consideration!

Technical Data

Permissible load 2 x 90 kN. Dependent on concrete strength and installation depth.



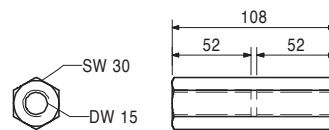
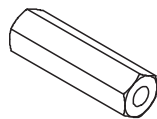
030090 0,402

Hex. Nut DW 15 SW 30/108, galv.

For coupling Tie Rod DW 15 and B 15.

Technical Data

Permissible load 90 kN.



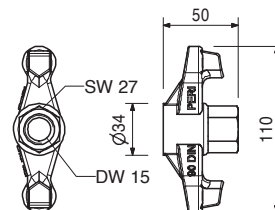
030100 0,439

Wingnut DW 15, galv.

For anchoring with Tie Rod DW 15 and B 15.

Technical Data

Permissible load 90 kN.



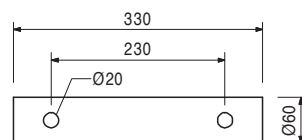
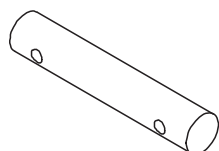
027520 7,030

Double Anchor Tie Yoke DSW

For anchoring with Tie Rod DW 15.

Technical Data

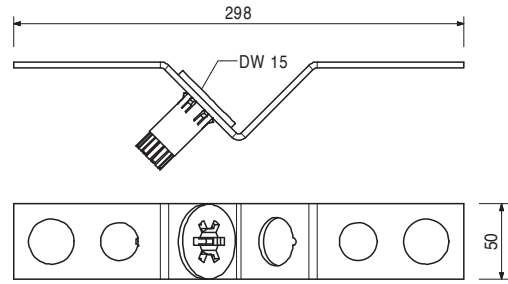
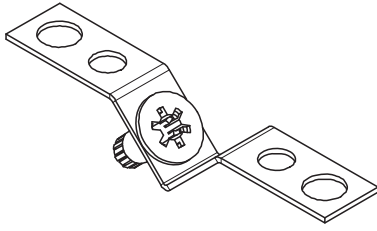
Permissible load 2 x 90 kN.



Item no.	Weight kg
031580	0,440

V-Tie Holder DW 15

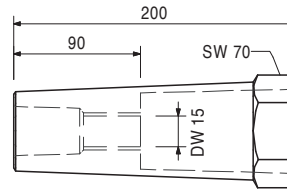
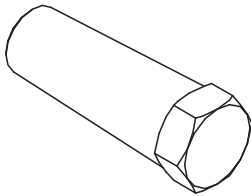
For easy installation of DW 15 Tie Rods at 45° inclinations.



031631	0,345
--------	-------

Leading Anchor Coupler DW 15, compl.

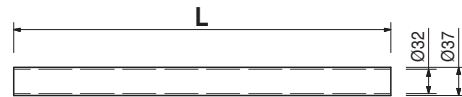
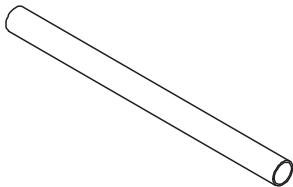
For easy installation of DW 15 Tie Rods at 45° inclinations.



031627	0,967
--------	-------

Spacer Tube rough DR 32, l = 3.00 m

Plastic spacer tube for DW 26.



030700	2,560
030800	0,000
030640	1,280
030641	2,560

Tie Rods DW 20

Tie Rod DW 20, spec. length

Cutting Cost Tie Rod DW 20/B 20

Tie Rod DW 20, l = 0.50 m

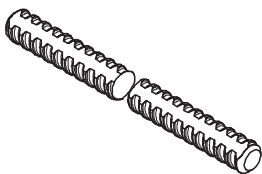
Tie Rod DW 20, l = 1.00 m

Note

Non-weldable! Take official approval into consideration!

Technical Data

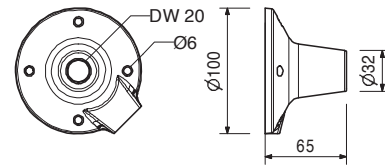
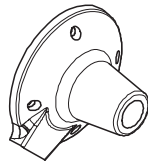
Permissible tension force 150 kN.



Item no.	Weight kg
030860	0,801

Threaded Anchor Plate DW 20
 For use with Tie Rod DW 20, B 20 or Screw-On Cone-2 M24/DW 20. For anchoring in concrete.

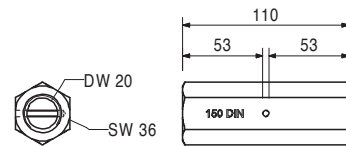
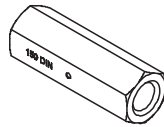
Note
 Lost anchor part.



030590	0,685
--------	-------

Hex. Nut DW 20 SW 36/110, weldable
 For coupling Tie Rod DW 20 and B 20.

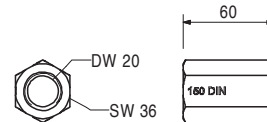
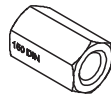
Note
 Weldable!
Technical Data
 Permissible load 150 kN.



030580	0,371
--------	-------

Hex. Nut DW 20 SW 36/60, weldable
 For anchoring with Tie Rod DW 20 and B 20.

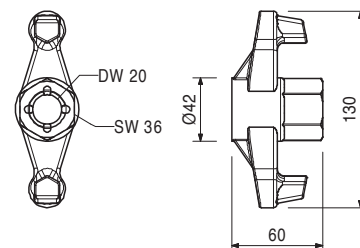
Note
 Weldable!
Technical Data
 Permissible load 150 kN.



030990	0,786
--------	-------

Wingnut DW 20, galv.
 For anchoring with Tie Rod DW 20 and B 20.

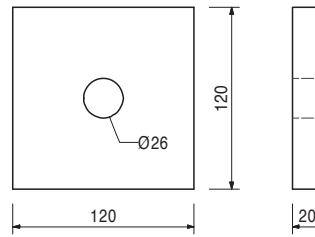
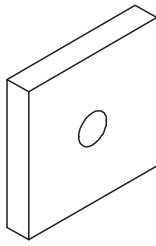
Technical Data
 Permissible load 150 kN.



Item no.	Weight kg
030830	2,180

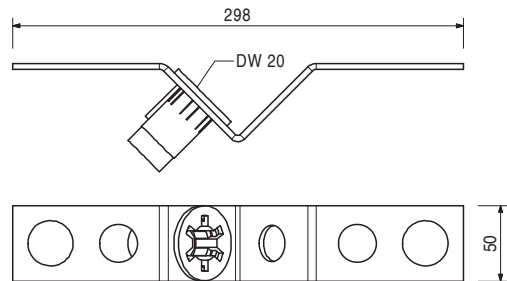
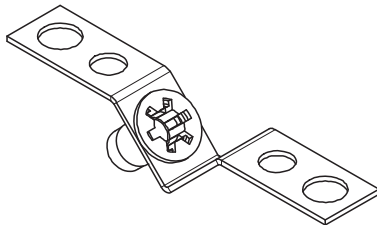
Counterplate DW 20, 120 x 120 x 20
For anchoring with Tie Rod DW 20 and B 20.

Technical Data
Permissible load 150 kN.



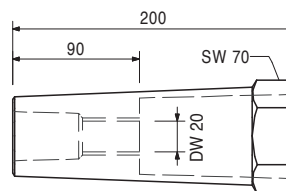
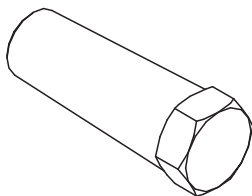
031590	0,420
--------	-------

V-Tie Holder DW 20
For easy installation of DW 20 Tie Rods at 45° inclinations.



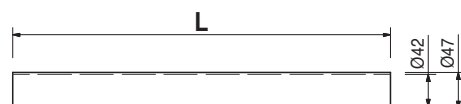
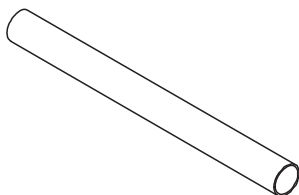
031632	0,355
--------	-------

Leading Anchor Coupler DW 20
For easy installation of DW 20 Tie Rods at 45° inclinations.



031634	1,250
--------	-------

Spacer Tube rough DR 42, l = 3.00 m
Plastic spacer tube for DW 20, 26.



SB Brace Frame



Item no. Weight kg

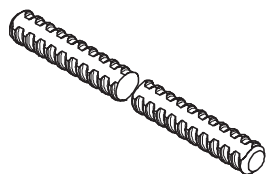
		Tie Rods DW 26
030340	4,480	Tie Rod DW 26, spec. length
030500	0,000	Cutting Cost Tie Rod DW 26
030645	2,240	Tie Rod DW 26, l = 0.50 m
030646	4,480	Tie Rod DW 26, l = 1.00 m

Note

Non-weldable! Take official approval into consideration!

Technical Data

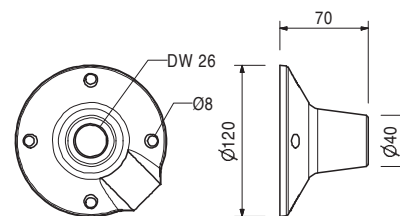
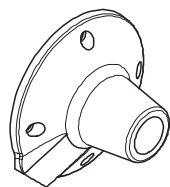
Permissible tension force 250 kN.



030870	1,240	Threaded Anchor Plate DW 26 For use with Tie Rod DW 26 or Screw-On Cone M36/DW 26. For anchoring in concrete.
--------	-------	---

Note

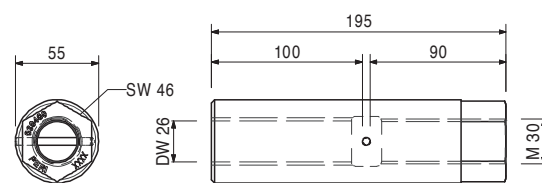
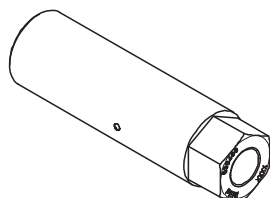
Lost anchor part.



030400	2,620	Coupling Nut M 30/DW 26, galv. For coupling Tension Rod and Tie Rod DW 26.
--------	-------	--

Technical Data

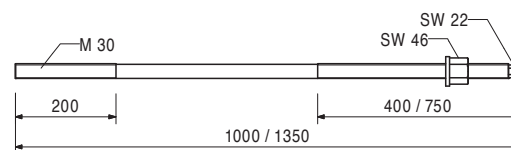
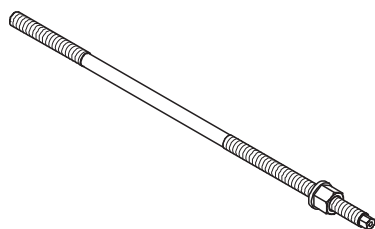
Permissible load 250 kN.



027540	5,170	Tension Rods M30 with Nut
027230	6,810	Tension Rod with Nut 100/M30 Tension Rod with Nut 135/M30 For anchoring the Brace Frame SB.

Technical Data

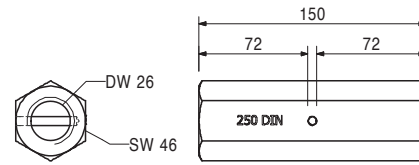
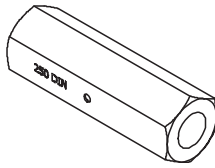
Permissible load 250 kN.



Item no.	Weight kg
030980	1,540

Hex. Coupler DW 26 SW 46/150, weldable
For coupling Tie Rod DW 26.

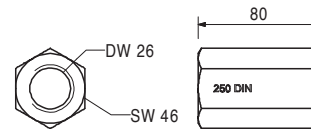
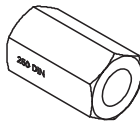
Note
Weldable!
Technical Data
Permissible load 250 kN.



030970	0,800
--------	-------

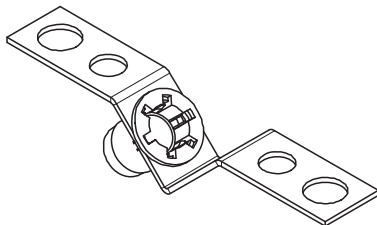
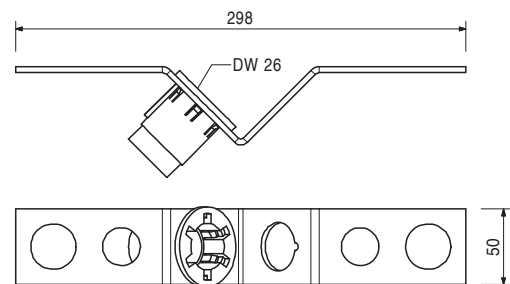
Hex. Coupler DW 26 SW 46/80, weldable
For anchoring with Tie Rod DW 26.

Note
Weldable!
Technical Data
Permissible load 250 kN.



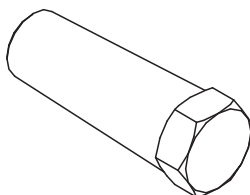
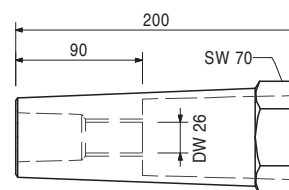
031600	0,430
--------	-------

V-Tie Holder DW 26
For easy installation of DW 26 Tie Rods at 45° inclinations.



031633	0,365
--------	-------

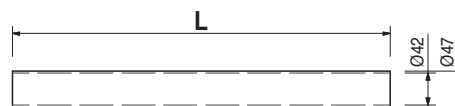
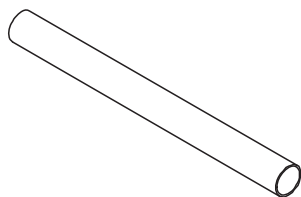
Leading Anchor Coupler DW 26
For easy installation of DW 26 Tie Rods at 45° inclinations.



SB Brace Frame

Item no.	Weight kg
031634	1,250

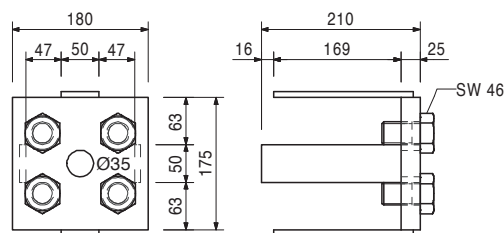
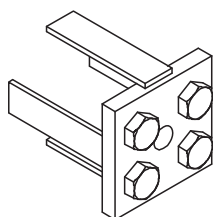
Spacer Tube rough DR 42, l = 3.00 m
Plastic spacer tube for DW 20, 26.



101621	10,100
--------	--------

Tension Release Plate SB DW 26
For anchoring of Brace Frame SB. Allows easy release of higher tensile loads. In connection with Anchor Waler 55 or 235. Turn bolt to working position before shuttering.

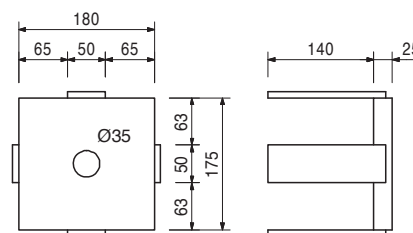
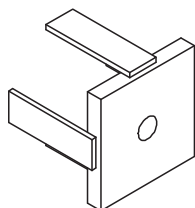
Complete with
4 pc. 724563 Hex. Bolt ISO 4017 M30 x 50-8.8, galv.
Technical Data
Permissible load 250 kN.



027480	7,960
--------	-------

Anchor Plate SB - DW 26
For anchoring of Brace Frame SB.

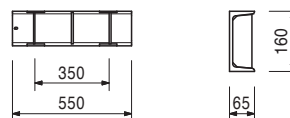
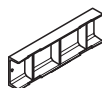
Technical Data
Permissible load 250 kN.



109017	11,600
--------	--------

Anchor Waler U160, l = 0.55 m
For anchoring of Brace Frame SB.

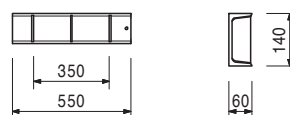
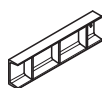
Technical Data
Permissible load 2 x 250 kN.



027650	9,940
--------	-------

Anchor Waler U140, l = 0.55 m
For anchoring of Brace Frame SB.

Technical Data
Permissible load 2 x 135 kN.



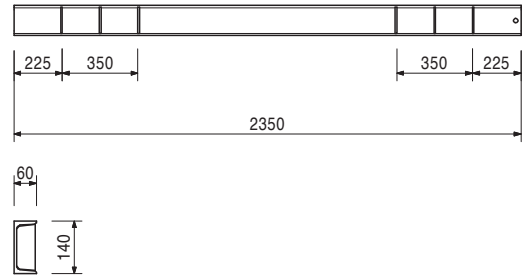
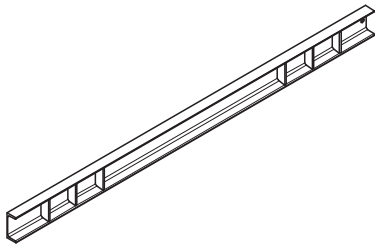
SB Brace Frame



Item no.	Weight kg
027530	39,800

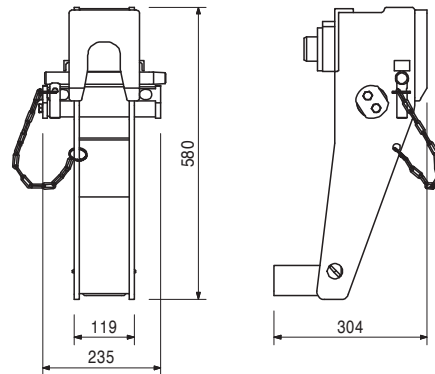
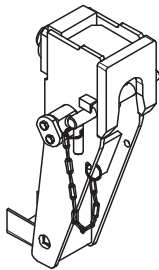
Anchor Waler U140, l = 2.35 m
For anchoring of Brace Frame SB.

Technical Data
Permissible load 4 x 135 kN.



106661	32,000
--------	--------

Brace Frame Wall Scaffold Hinge
For horizontal use of PERI Brace Frames SB-A0, A, B and SB-2 as climbing brackets.



Accessories

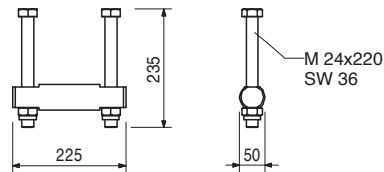
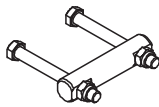
106662	4,870
106663	13,900

Brace Frame Adaptor SB A0, A, B
Brace Frame Adaptor SB-2

106662	4,870
--------	-------

Brace Frame Adaptor SB A0, A, B
For mounting the brace frame wall scaffold hinge to the Brace Frame SB-A0, A or B.

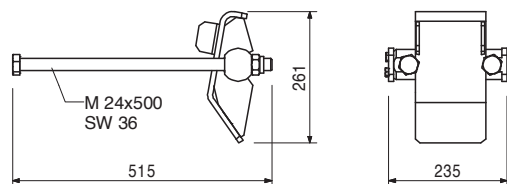
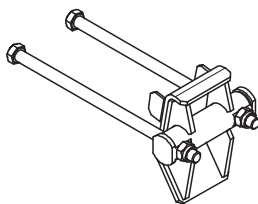
Complete with
2 pc. 106803 Nuts ISO 7042 M24-10, galv.
2 pc. 106797 Bolt ISO 4014 M24 x 220-10.9, galv.



106663	13,900
--------	--------

Brace Frame Adaptor SB-2
For mounting of Brace Frame Wall Scaffold Hinge to the Brace Frame SB-2.

Complete with
2 pc. 106798 Bolt ISO 4014 M24 x 500-10.9, galv.
2 pc. 106803 Nuts ISO 7042 M24-10, galv.

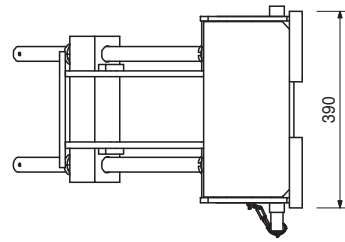
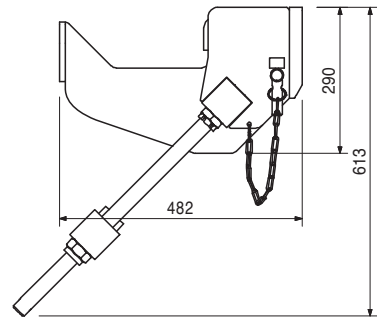
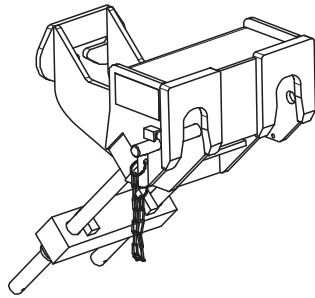


SB Brace Frame

Item no.	Weight kg
111866	64,600

Wall Scaffold Hinge SB double

For horizontal use of PERI Brace Frames SB-A0, A, B as climbing bracket.



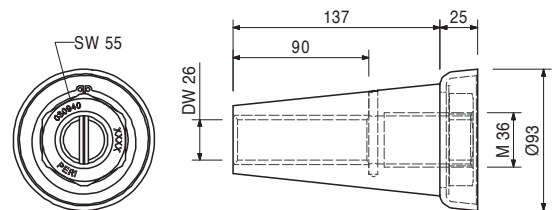
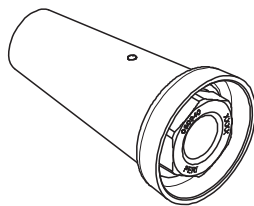
030940	3,040
--------	-------

Climbing Cone-2 M36/DW 26, galv.

Tie System M36.
For anchoring of climbing systems.

Note

Separate design information on request.



Accessories

030870	1,240
030340	4,480

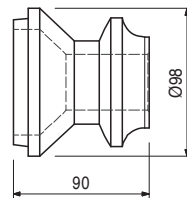
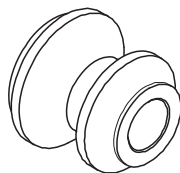
Threaded Anchor Plate DW 26

Tie Rod DW 26, spec. length

029490	1,770
--------	-------

Scaffold Mounting Ring M36, galv.

Tie System M36.
For anchoring of climbing systems.



Accessories

029550	1,400
--------	-------

Bolt ISO 4014 M36 x 130-10.9, galv.

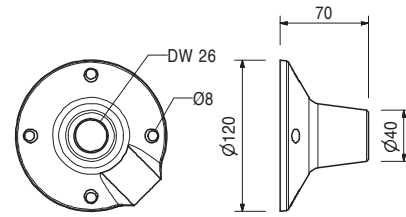
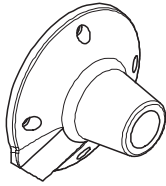
Item no.	Weight kg
030870	1,240

Threaded Anchor Plate DW 26

For use with Tie Rod DW 26 or Screw-On Cone M36/DW 26. For anchoring in concrete.

Note

Lost anchor part.



030340	4,480
030500	0,000

Tie Rod DW 26

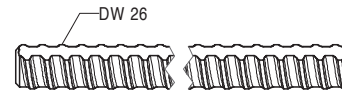
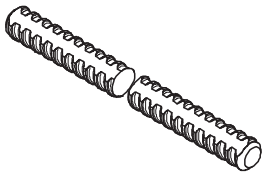
Tie Rod DW 26, spec. length
Cutting Cost Tie Rod DW 26

Note

Non-weldable! Take official approval into consideration!

Technical Data

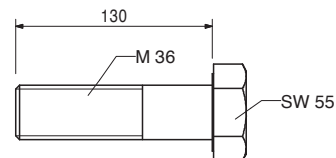
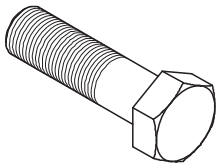
Permissible tension force 250 kN.



029550	1,400
--------	-------

Bolt ISO 4014 M36 x 130-10.9, galv.

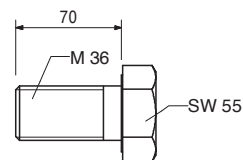
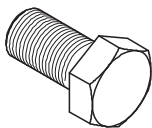
High-strength bolt for anchoring of climbing systems.



029430	0,930
--------	-------

Bolt ISO 4017 M36 x 70-8.8, galv.

Bolt for anchoring of climbing systems and as advancing bolt.

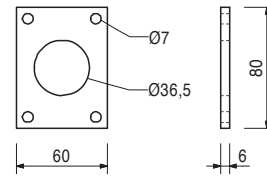
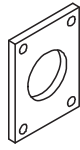


SB Brace Frame

Item no.	Weight kg
029390	0,170

Anchor Positioning Plate M36, galv.

For fixing the M36 anchor system if the plywood formlining is drilled through.



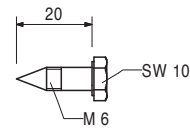
Item no.	Weight kg
029440	0,005

Accessories

Lag Screw DIN 571 6 x 20, galv.

029440	0,005
--------	-------

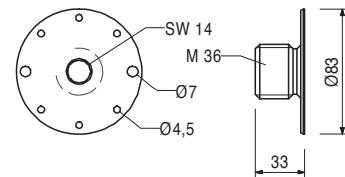
Lag Screw DIN 571 6 x 20, galv.



026460	0,308
--------	-------

Anchor Positioning Stud M36, galv.

For fixing the M36 anchor system if the plywood formlining is not drilled through.



027212	0,445
710312	0,005

Accessories

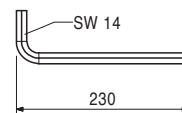
Allen Key SW 14, long

Nail 3 x 80

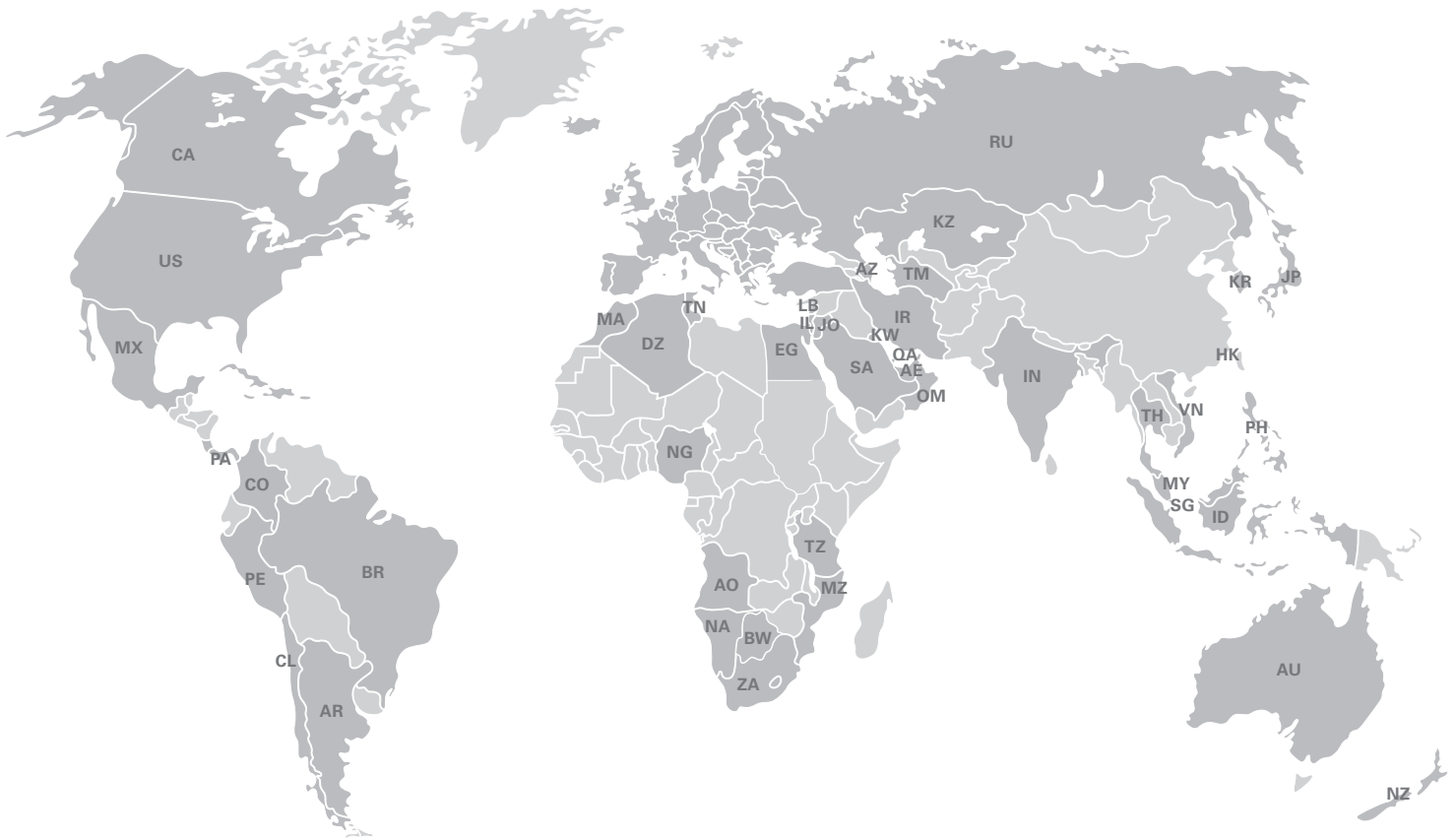
027212	0,445
--------	-------

Allen Key SW 14, long

Fits to PERI Anchor Positioning Studs and Allen Key Bolts M16.



PERI International



North America

- CA** Canada
PERI Formwork Systems, Inc.
www.peri.ca
- MX** Mexico
PERI Cimbras y Andamios, S.A. de C.V.
www.peri.com.mx
- PA** Panama
PERI Panama Inc.
www.peri.com.pa
- US** USA
PERI Formwork Systems, Inc.
www.peri-usa.com

South America

- AR** Argentina
PERI S.A.
www.peri.com.ar
- BR** Brazil
PERI Formas e Escoramentos Ltda.
www.peribrasil.com.br
- CL** Chile
PERI Chile Ltda.
www.peri.cl
- CO** Colombia
PERI S.A.S.
www.peri.com.co
- PE** Peru
PERI Peruana S.A.C.
www.peri.com.pe

Africa

- AO** Angola
Pericofragens, Lda.
www.peri.pt
- DZ** Algeria
S.A.R.L. PERI
www.peri.dz
- BW** Botswana
PERI (Proprietary) Limited
www.peri.co.bw
- EG** Egypt
Egypt Branch Office
www.peri.com.eg
- MA** Morocco
PERI S.A.
www.peri.ma
- MZ** Mozambique
PERI (Pty.) Ltd.
www.peri.co.mz
- NA** Namibia
PERI (Pty.) Ltd.
www.peri.na
- NG** Nigeria
PERI Nigeria Ltd.
www.peri.ng
- TN** Tunisia
PERI S.A.U.
www.peri.es
- TZ** Tanzania
PERI Formwork and Scaffolding Ltd
www.peritanzania.com
- ZA** South Africa
PERI Formwork Scaffolding (Pty) Ltd
www.peri.co.za

Asia

- AE** United Arab Emirates
PERI (L.L.C.)
www.perime.com
- AZ** Azerbaijan
PERI Representative Office
www.peri.com.tr
- HK** Hong Kong
PERI (Hong Kong) Limited
www.perihk.com
- ID** Indonesia
PT Beton Perkasa Wijaksana
www.betonperkasa.com
- IL** Israel
PERI F.E. Ltd.
www.peri.co.il
- IN** India
PERI (India) Pvt Ltd
www.peri.in
- IR** Iran
PERI Persa. Ltd.
www.peri.ir
- JO** Jordan
PERI GmbH – Jordan
www.peri.com
- JP** Japan
PERI Japan K.K.
www.perijapan.jp
- KR** Korea
PERI (Korea) Ltd.
www.perikorea.com
- KW** Kuwait
PERI Kuwait W.L.L.
www.peri.com.kw
- KZ** Kazakhstan
TOO PERI Kazakhstan
www.peri.kz
- LB** Lebanon
PERI Lebanon Sarl
lebanon@peri.de
- MY** Malaysia
PERI Formwork Malaysia Sdn. Bhd.
www.perimalaysia.com
- OM** Oman
PERI (L.L.C.)
www.perime.com
- PH** Philippines
PERI-Asia Philippines, INC.
www.peri.com.ph
- QA** Qatar
PERI Qatar LLC
www.peri.qa
- SA** Saudi Arabia
PERI Saudi Arabia Ltd.
www.peri.com.sa
- SG** Singapore
PERI Asia Pte Ltd
www.periasia.com
- TM** Turkmenistan
PERI Sanayi
www.peri.com.tr
- TH** Thailand
Peri (Thailand) Co., Ltd.
www.peri.co.th
- VN** Vietnam
PERI ASIA PTE LTD
www.peri.com.vn

PERI

PERI GmbH
Formwork Scaffolding Engineering
 Rudolf-Diesel-Strasse 19
 89264 Weissenhorn
 Germany
 Tel. +49 (0)7309.950-0
 Fax +49 (0)7309.951-0
 info@peri.com
 www.peri.com



Oceania

AU Australia
 PERI Australia Pty. Ltd.
 www.periaus.com.au

NZ New Zealand
 PERI Australia Pty. Limited
 www.peri.co.nz

Europe

AL Albania
 PERI Kalıp ve İskeleleri
 www.peri.com.tr

AT Austria
 PERI Ges.mBH
 www.peri.at

BA Bosnia and Herzegovina
 PERI oplate i skele d.o.o
 www.peri.com.hr

BE Belgium
 N.V. PERI S.A.
 www.peri.be

BG Bulgaria
 PERI Bulgaria EOOD
 www.peri.bg

BY Belorussia
 IOOO PERI
 www.peri.by

CH Switzerland
 PERI AG
 www.peri.ch

CZ Czech Republic
 PERI spol. S r.o.
 www.peri.cz

DE Germany
 PERI GmbH
 www.peri.de

DK Denmark
 PERI Danmark A/S
 www.peri.dk

EE Estonia
 PERI AS
 www.peri.ee

ES Spain
 PERI S.A.U.
 www.peri.es

FI Finland
 PERI Suomi Ltd. Oy
 www.perisuomi.fi

FR France
 PERI S.A.S.
 www.peri.fr

GB United Kingdom
 PERI Ltd.
 www.peri.ltd.uk

GR Greece
 PERI Hellas Ltd.
 www.perihellas.gr

HR Croatia
 PERI oplate i skele d.o.o.
 www.peri.com.hr

HU Hungary
 PERI Kft.
 www.peri.hu

IR Ireland
 Siteserv Access & Formwork
 www.siteservaccess.ie

IS Iceland
 Armar ehf.
 www.armor.is

IT Italy
 PERI S.p.A.
 www.peri.it

LT Lithuania
 PERI UAB
 www.peri.lt

LU Luxembourg
 N.V. PERI S.A.
 www.peri.lu

LV Latvia
 PERI SIA
 www.peri-latvija.lv

NL Netherlands
 PERI B.V.
 www.peri.nl

NO Norway
 PERI Norge AS
 www.peri.no

PL Poland
 PERI Polska Sp. z o.o.
 www.peri.com.pl

PT Portugal
 Pericofragens Lda.
 www.peri.pt

RO Romania
 PERI România SRL
 www.peri.ro

RS Serbia
 PERI oplate d.o.o.
 www.peri.rs

RU Russia
 OOO PERI
 www.peri.ru

SE Sweden
 PERI Sverige AB
 www.periform.se

SI Slovenia
 PERI oplate i skele d.o.o
 www.peri.com.hr

SK Slovakia
 PERI spol. s. r.o.
 www.peri.sk

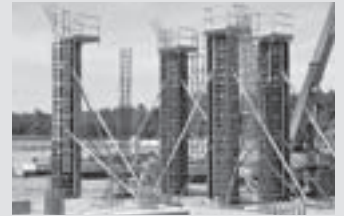
TR Turkey
 PERI Sanayi ve Ticaret Ltd.
 www.peri.com.tr

UA Ukraine
 TOW PERI
 www.peri.ua

The optimal System for every Project and every Requirement



Wall Formwork



Column Formwork



Slab Formwork



Climbing Systems



Tunnel Formwork



Bridge Formwork



Shoring Systems



Construction Scaffold



Facade Scaffold



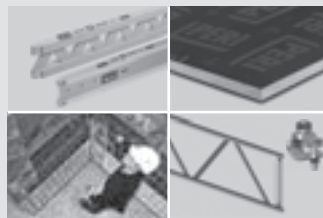
Industrial Scaffold



Access



Protection Scaffold



System-Independent Accessories



Services



PERI GmbH
Formwork Scaffolding Engineering
 Rudolf-Diesel-Strasse 19
 89264 Weissenhorn
 Germany
 Tel. +49 (0)7309.950-0
 Fax +49 (0)7309.951-0
 info@peri.com
 www.peri.com